

Sinterit Powder Separator

USER MANUAL



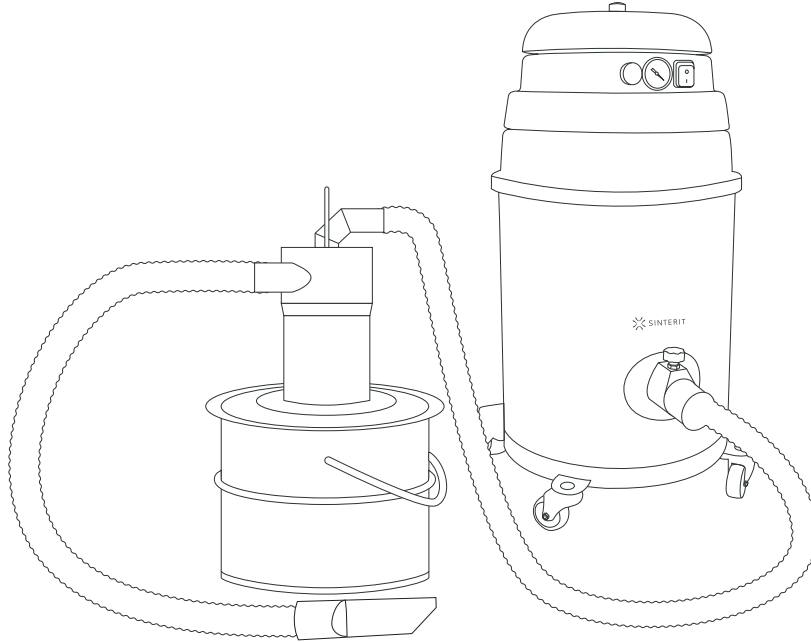
Read the instruction manual before using the device.



The Sinterit Powder Separator is an integral part of the Sinterit Cleaning System and cannot be used alone or with another vacuum cleaner.

Use only with the Sinterit ATEX Vacuum Cleaner!

SINTERIT CLEANING SYSTEM



This manual provides all the information needed to use and service your Sinterit Powder Separator. Good operation and durability depend on proper maintenance and careful use.

Before leaving the factory, this particular model has undergone thorough tests to ensure the utmost reliability. However, make sure that the powder separator has not been damaged during transport in a way that could affect its operation and safety.

This manual should be considered an integral part of the powder separator and must be kept together with the unit this is scrapped. In case of loss or damage to the manual, ask Sinterit for a new copy or visit www.sinterit.com/support-page/ and download the PDF.

The subjects addressed in this manual are those expressly required by „Machinery Directive 2006/42/CE” and the technical details shown are those provided by the manufacturer at the time of compilation. For ATEX Vacuums, the reference directive is the 2014/34/EU.

This manual must be kept in a place accessible to all the personnel charged with operating and servicing the powder separator.

Before using the machine, prepare and train yourself by reading this manual carefully. Use of the machine by untrained and unauthorised persons is forbidden. The employer must inform and train the user according to the provisions of applicable laws.

Failure to observe basic safety regulations and warnings could cause accidents during the powder separator operation, maintenance and repair. Operators should be aware of potential hazards and be trained and skilled enough. They should also have the right tools.

SINTERIT shall under no circumstances be deemed liable for accidents or damage caused by use of the Sinterit Powder Separator by personnel not properly trained or who use it in an improper manner, as well as by even partial failure to comply with the safety regulations and intervention procedures indicated in this manual.

In case of any doubts, always immediately call the Sinterit Support.



Table of contents

1. Marking text conventions used in the document	4
2. Sinterit Powder Separator pack	5
A. Description	5
B. Specification	5
3. Exceptional risks.....	6
4. Important safeguards and warnings	6
A. Environment and place of installation	6
B. General safety rules	6
C. Personal protection	7
D. Safety requirements during using the vacuum cleaner	7
E. Safety during repair and maintenance	8
F. Toxic and dangerous materials.....	8
G. Safety plates (specification tag and symbols)	8
H. Scrapping.....	9
5. Initial startup of the Sinterit Powder Separator after delivery.....	10
6. Preparing the Sinterit Powder Separator to work	12
7. Information and tasks while powder suction	13
8. Removing powder from the Sinterit Powder Separator.....	14
9. Maintenance of the Sinterit Powder Separator	16
A. Cleaning the Sinterit Powder Separator	16
B. Periodical maintenance.....	17
C. Cleaning or servicing the antistatic hose \varnothing 32 mm	17
10. General legal information.....	18
11. Disclaimer	18
12. Trademarks	19
13. Terms of warranty.....	19
14. Technical support.....	19



1. Marking text conventions used in the document

Listed below are descriptions of symbols used on the device. They constitute a warning or convey the information to protect the user, other individuals or surrounding objects and ensure correct and safe use of the device.

	WARNING! An inevitably dangerous situation which can result in serious injury or even death. Initiation, omission of a specific procedure or inattention can cause severe physical injury to the user.
	ATTENTION! Initiation or omission of a specific procedure can cause physical damage to the equipment or the user.
	WARNING! Risk of electric shock which can be fatal or cause severe burns. An inevitably dangerous situation which can result in serious injury or even death, if not mitigated. Before working with any equipment, you should be aware of the dangers associated with the flow of electric current, and become familiar with the standard procedures to prevent accidents.
	CAUTION! Beware of moving parts which can crush hands.
	ATTENTION! Risk of electric shock. A grounding is used in the powder separator. Follow the instructions in the User manual and the markings on the Sinterit Powder Separator.
	WARNING! Avoid fire! Powder dust is flammable.
	STOP! Action prohibited.
	ATTENTION! It is necessary to wear antistatic clothes and shoes. Mandatory action when working with Sinterit Cleaning System.
	ATTENTION! It is necessary to wear protective gloves and a face mask. Mandatory action when working with powder.
	IMPORTANT! Information essential to correctly perform a specific task.
	IMPORTANT! You must read the instructions before taking action.



2. Sinterit Powder Separator pack

A. DESCRIPTION

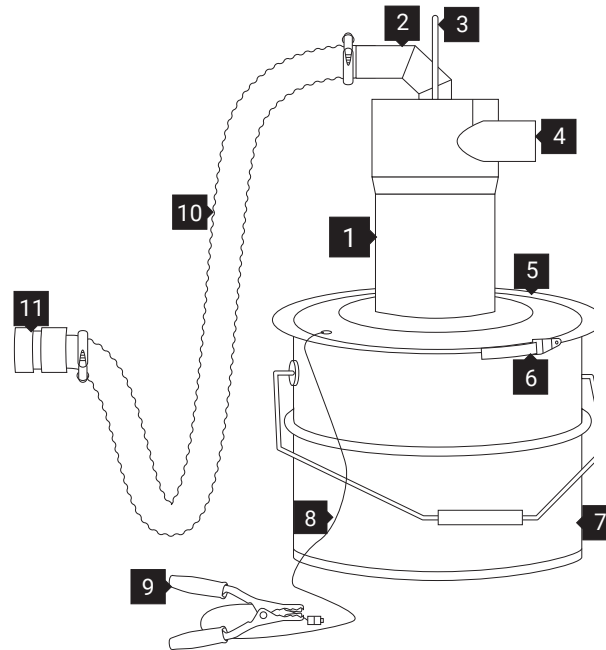


Image 1. Front view of the Sinterit Powder Separator.

1. Powder Separator Body / 2. Outlet tube (to Antistatic hose \varnothing 32 mm) / 3. Carrying handle / 4. Inlet tube (to Antistatic hose \varnothing 40 mm) / 5. Container lid / 6. Clamping ring (to connect container and powder separator) / 7. Metal container (12 L) / 8. Grounding wire / 9. Grounding clamp / 10. Antistatic hose \varnothing 32 mm / 11. Inlet Aluminium connector 50/32

B. SPECIFICATION:

GENERAL	
Category	Cyclone separator
Type	Sinterit Powder Separator
PACKAGING	
Size of package	350 x 350 x 350 [mm] (13.78 x 13.78 x 13.78 [in])
Package weight	6 [kg] (13.23 [lbs])
Package contains	Sinterit Powder Separator with accessories + Sinterit Powder Separator User Manual
TECHNICAL DATA	
Dimensions	550 x 305 x 300 [mm] (21.65 x 12.00 x 11.81 [in])
Total weight	5 [kg] (11.02 [lbs])
Suction inlet	40 [mm] (1.57 [in])
Suction outlet	32 [mm] (1.26 [in])
Capacity of collection unit	12 [L]



3. Exceptional risks


Careful analysis of risks performed by the manufacturer and stored in the technical file has made it possible to eliminate most of the risks associated with the powder separator operation.

The manufacturer advises to carefully follow the instructions, procedures and advice contained in this manual as well as applicable safety regulations, including the use of the provided protection devices, both those integrated into the powder separator and individual.


Possible exceptional risks:

- Risk of improper use in the presence of explosive and flammable substances. The Sinterit Powder Separator must not be used in environments containing substances in the form of liquids that could evaporate at room temperature and flammable dust and gas.
- Risks of operation in humid environments. Keep to the limits shown in this manual at chap. "Environment and place of installation".
- Risk of misinterpretation of the safety pictograms. Having identified the various outstanding risks, the manufacturer has affixed to the powder separator a number of hazard labels in compliance with regulations relating to the graphic symbols to be used. The user must immediately replace any safety plates that become illegible due to wear or damage.




4. Important safeguards and warnings

	<p>WARNING!</p> <ul style="list-style-type: none">• The Sinterit Powder Separator is an integral part of the Sinterit Cleaning System and cannot be used alone or with another vacuum cleaner.• Use only with the Sinterit ATEX Vacuum Cleaner!• It is necessary to become acquainted with the safety conditions to continue working with the powder separator.
--	--

A. ENVIRONMENT AND PLACE OF INSTALLATION

	<p>WARNING!</p> <ul style="list-style-type: none">• The Sinterit Powder Separator, this must be positioned protected against atmospheric agents (rain, hail, snow, fog, dust in suspension, etc.) with an environmental running temperature between 5°C and 45°C and relative humidity not above 70%.• Clean the Powder Separator, empty the container and store in a place protected against atmospheric agents with a temperature between 0°C and 40°C.• Cover with a nylon sheet to prevent accumulation of dust.
---	---

B. GENERAL SAFETY RULES

	<p>WARNING!</p> <ul style="list-style-type: none">• Only adults should use the powder separator.• When using the machine, mind other people, especially children.	
	<p>WARNING!</p> <ul style="list-style-type: none">• The powder separator must not be operated in a corrosive or explosive environment.• Avoid prolonged contact with solvents and inhaling their vapours.• Avoid using the device close to open flames or sources of heat.	



	<p>ATTENTION!</p> <ul style="list-style-type: none">• Risk of crushing upper limbs while fitting and locking the Body 1 on the Metal container 7.• Never place hands between the body and Metal container while locking.• Do not put hands near the Clamping ring 6 while locking.• Perform the container locking operation by means of the lever located on the Clamping ring, USING BOTH HANDS!	
	<p>ATTENTION!</p> <p>Make sure all the guards and protection devices are in place and that all the safety devices are in place and working properly.</p>	

C. PERSONAL PROTECTION




	<p>ATTENTION!</p> <ul style="list-style-type: none">• The operator must always wear antistatic clothes and shoes.• The floor of the area to working with powder must be antistatic.	
	<p>STOP!</p> <p>Do not wear loose or hanging clothing such as ties, scarves or torn garments that could become trapped and be sucked up by the part of separator kit.</p>	

D. SAFETY REQUIREMENTS DURING USING THE POWDER SEPARATOR




	<p>WARNING!</p> <p>Always make sure the powder separator is free of all external materials such as debris, oil, equipment and other objects that could affect operation and cause injury to persons.</p>	
	<p>STOP!</p> <ul style="list-style-type: none">• Climbing on the powder separator is forbidden.• Do not open the powder separator Metal container with the machine running.	
	<p>WARNING!</p> <p>The opening of the powder collection container must be executed in a non-classified atmosphere area, after having disconnected the machine and only after more than 1 minute from the switching off.</p>	
	<p>ATTENTION!</p> <p>Connect the Grounding clamp 9 with a conductive surface connected with the earth.</p>	



E. SAFETY DURING REPAIR AND MAINTENANCE


	<p>WARNING!</p> <ul style="list-style-type: none">• All maintenance operations must be executed in a non-classified atmosphere.• Only skilled persons should carry out repairs.• Read the operator's and maintenance manual carefully before using the powder separator or doing any maintenance jobs.• During maintenance jobs, affix a notice to the appliance indicating „MACHINE BEING SERVICED, DO NOT START“.
	<p>STOP!</p> <p>Avoid using flammable or toxic solvents such as petrol, benzene, ether and alcohol for cleaning.</p>
	<p>WARNING!</p> <ul style="list-style-type: none">• Structural damage and improper alterations or repairs could change the protection capacity of the powder separator.• Any alterations to the appliance can only be made by Sinterit Support.• In the event of Customers fitting a tool to the machine not supplied by Sinterit, make sure the safety conditions required by Machinery Directive 2006/42/CE are complied with and in any event, Sinterit is unable to accept liability for any problems arising from the use of such tool.

F. TOXIC AND DANGEROUS MATERIALS

	<p>STOP!</p> <ul style="list-style-type: none">• Using the machine to vacuum toxic substances is forbidden.• Do not vacuum flammable materials or substances or which could cause explosions (fuels, solvents, petrol etc.).• Do not suck lighted cigarettes, cigarette stubs or incandescent or burning materials.• Do not vacuum sources of ignition.• Do not vacuum corrosive substances.• The user is responsible for disposing of vacuumed substances in accordance with applicable laws.	
	<p>STOP!</p> <p>The user is responsible for disposing of vacuumed substances in accordance with applicable laws.</p>	

G. SAFETY PLATES (SPECIFICATION TAG AND SYMBOLS)

Plates showing safety symbols and/or messages are attached to the powder separator.

	<p>ATTENTION!</p> <ul style="list-style-type: none">• Make sure all the safety messages are legible.• Clean these with a cloth, soap and water. Do not use solvents, diesel fuel or petrol.• Replace the damaged plates with new ones supplied by Sinterit. If a plate is attached to a replaced part, make sure a new plate is affixed to the new part.• In compliance with the Machinery Directive 2006/42/CE on interchangeable equipments, the device is fitted with CE plates.• When contacting the manufacturer or dealer, always quote the details shown on the powder separator plate.
---	---



WARNING!

- Removing the safety plates on the powder separator is strictly forbidden!
- The manufacturer declines all liability in relation to powder separator safety in the event of failure to comply with the above indications.




DO NOT REMOVE THIS LABEL!			
Manufacturer:  SINTERIT www.sinterit.com contact@sinterit.com		Name: SINTERIT POWDER SEPARATOR	
		Serial number:	
		Manufactured:	Made in: EU, POLAND
 	Machine type:	POWDER CYCLONE	SEPARATOR
	Dimensions:	550 x 305 x 300 [mm]	21.7 x 12 x 11.8 [in]
	Total weight:	5 [kg]	11 [lbs]
WARNING! Read and understand operator's manual and all other safety instructions before using this product. Failure to follow operating instructions could result in serious injury. Use only with Sinterit Atex Vacuum Cleaner			

Image 2. View of the specification tag in the Sinterit Powder Separator.

H. SCRAPPING



IMPORTANT!

In the case of scrapping, all the component parts of the powder separator will have to be disposed of through adequate disposal channels in accordance with applicable legislation. Parts made of plastic, aluminium and steel only may be recycled if collected by special centres.





5. Initial startup of the Sinterit ATEX Vacuum Cleaner after delivery



ATTENTION!

Before installing the Sinterit Powder Separator, carefully check if it hasn't been damaged during transport. If they are, please contact Sinterit Support.



IMPORTANT!

- The complete set of Sinterit Powder Separator is supplied in a strong cardboard box secured with tape.
- The Sinterit Powder Separator is one of the parts of the Sinterit Cleaning System and must not be used beyond the above-mentioned system. The set includes Sinterit ATEX Vacuum Cleaner and Sinterit Powder Separator.
- The powder separator is pre-assembled for transport. The main part of the powder separator is rotated upside-down and hidden in the Metal container **7**.

1. Remove the bubble wrap from around the Metal container.
2. Grab the Container lid **5** with powder separator body **1** by the cyclone separator collection outlet **12**, lift it and put it aside (Image 4).
3. Remove the bubble wrap from around the powder separator body **1**.
 - Beware of connected accessories to the powder separator (grounding system **8**, **9**, Antistatic hose **10** with connector **11**).

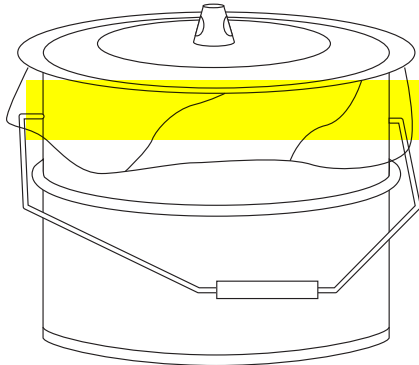


Image 3. A powder separator pre-assembled for transport.

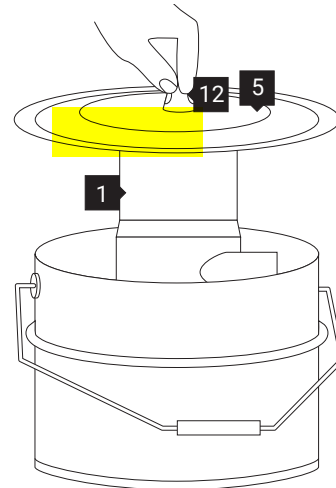


Image 4. Unpacking the Sinterit Powder Separator.

4. Apply the Powder Separator body **1** to the Metal container **7**. (Image 5).
5. Unlock and lower the Clamping ring **6** around the Container lid **5**.
6. Match both elements **1**, **7** together precisely. Then put the Clamping ring **6** back and lock it.
7. Remove the plastic cable ties from the Antistatic **10** hose and the grounding wire **8**.

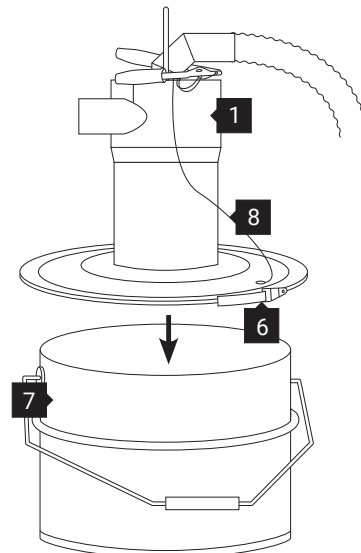


Image 5. Connecting the powder separator body and Metal container.



8. Fit the Antistatic hose \varnothing 32 mm **10** with the Inlet Aluminium connector 50/32 **11** to the Suction hose connector (in the vacuum cleaner) (Image 6).
 - At the same time, lift the locking screw of the suction hose connections (Image 7, part 1) and insert the Inlet Aluminium connector **11** (Image 7, part 2).

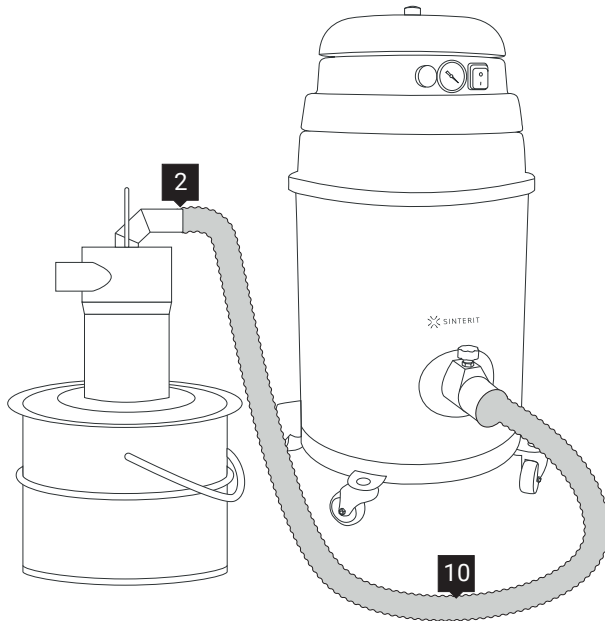


Image 6. Connecting the Antistatic hose to the vacuum cleaner 1.

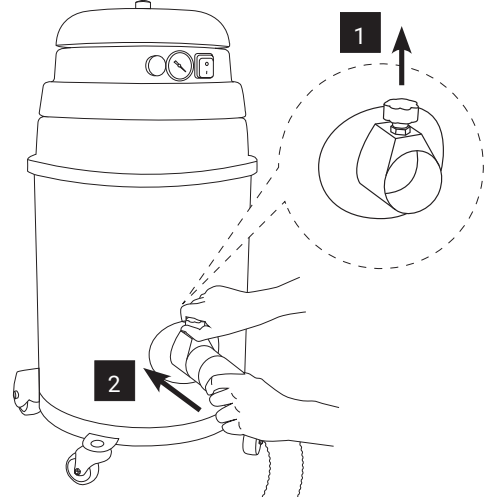


Image 7. Connecting the Antistatic hose to the vacuum cleaner 2.

9. Connect the Antistatic hose \varnothing 40mm (from the vacuum cleaner) to the Inlet tube **4** of the powder separator (Image 8).
 - If you have used a vacuum cleaner before, remember to remove the Aluminium connector 50/40 from the Antistatic hose.
10. On the other side of the Antistatic hose \varnothing 40mm, mount a nozzle suitable for the type of work: Rubber nozzle or PVC brush (Image 8).

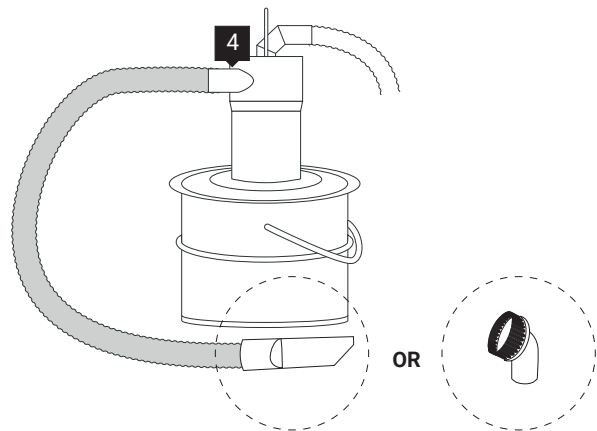


Image 8. Connecting the Antistatic hose \varnothing 40 mm and accessories to the powder separator.

The Sinterit Powder Separator is assembled, connected to the vacuum cleaner and ready to use. Enjoy!



6. Preparing the Sinterit Powder Separator to work



ATTENTION!

- The operator using the Sinterit Powder Separator always must wear antistatic clothes and antistatic shoes.
- The working environment and the floor must comply with antistatic standards.



1. Connect the powder separator grounding clamp **9** to a conductive surface (e.g. connect to vacuum cleaner's Release fasteners) (Image 9).

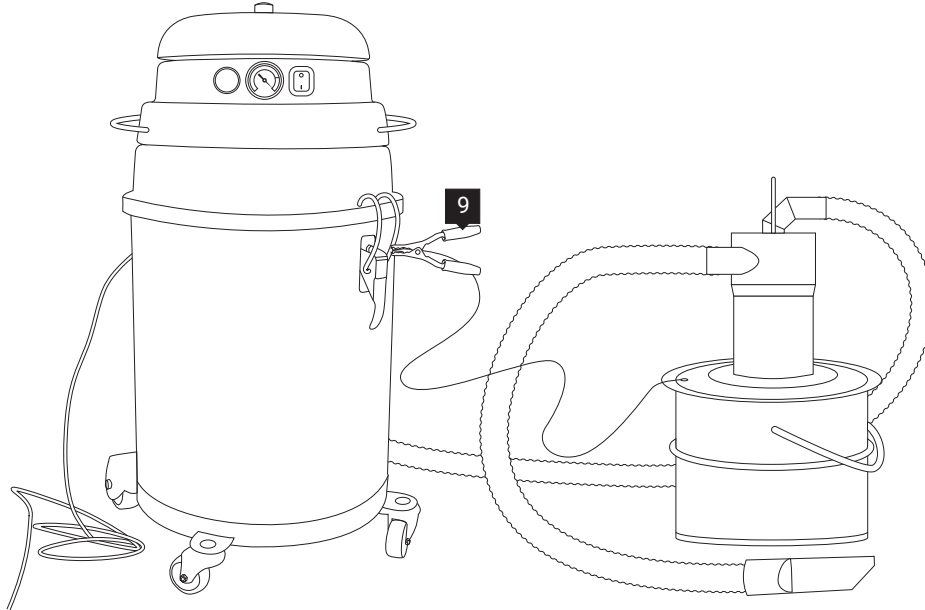


Image 9. Connecting Grounding clamp **9** to the Sinterit ATEX Vacuum Cleaner.

2. Check that the Clamping ring **6** is installed correctly and that there are no leaks between the Container lid **5** and the Metal container **7**.
 - If there are leaks, the powder separator will not work properly.



ATTENTION!

Check that the Grounding wire **8** is not pinched by the Clamping ring **5**.

3. Check the connections of the Antistatic hoses (to the vacuum cleaner, to the input and output tubes of the powder separator).
4. Connect the Sinterit ATEX Vacuum Cleaner grounding system to a conductive surface.
5. Connect the vacuum cleaner to the power supply.
6. Grab one end of the Antistatic hose complete with Rubber nozzle.
7. Turn on the Vacuum Cleaner. Switch the Power Switch from "0" to "1".
8. Hold the Antistatic hose tightly and start suctioning the powder from the printer (Image 10).
9. After collecting all the powder from the printer (or filling the Metal container) turn off the vacuum cleaner. Switch the Power Switch from "1" to "0".
10. After finishing work, disconnect the power supply in the vacuum cleaner.

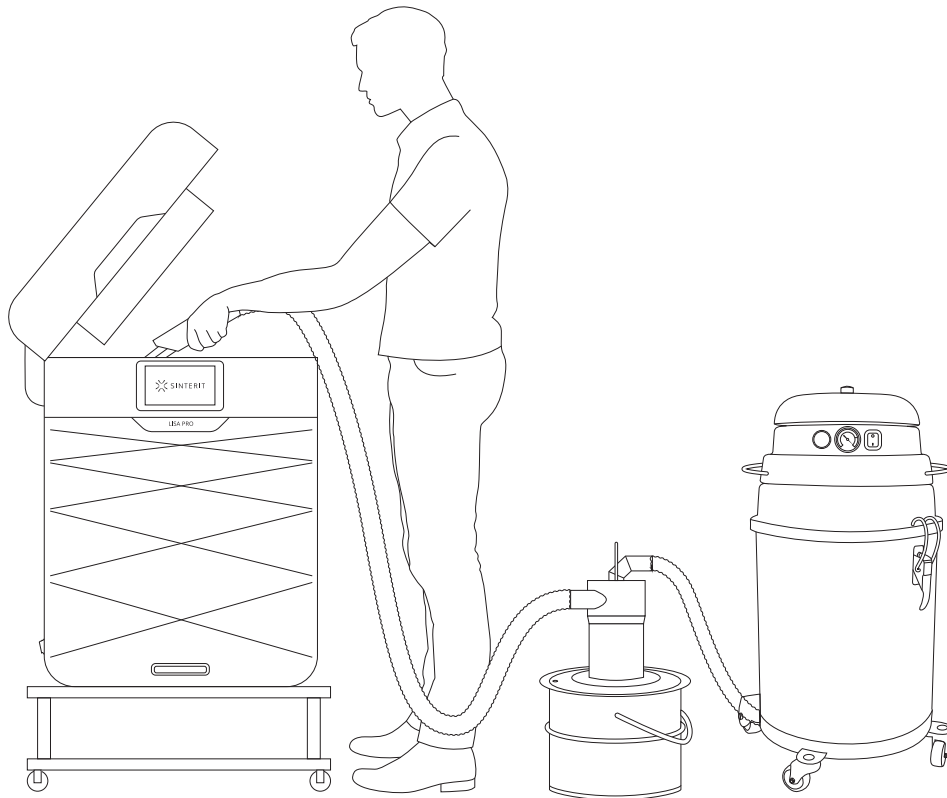


Image 10. Removing the powder from Lisa printer using Sinterit Cleaning System.

7. Information and tasks while powder suction



ATTENTION!

Avoid rolling or bending the flexible Antistatic hose when extracting powder from the printer.



ATTENTION!

Do not open the powder separator Clamping ring **6** while the vacuum cleaner is on. Disconnect only when the vacuum cleaner is off!

1. When sucking the powder out of the printing chamber, hold the end of the hose/Rubber nozzle close to the surface.
2. Never clog the end of the Rubber nozzle or stick it completely in the powder! (Image 11)

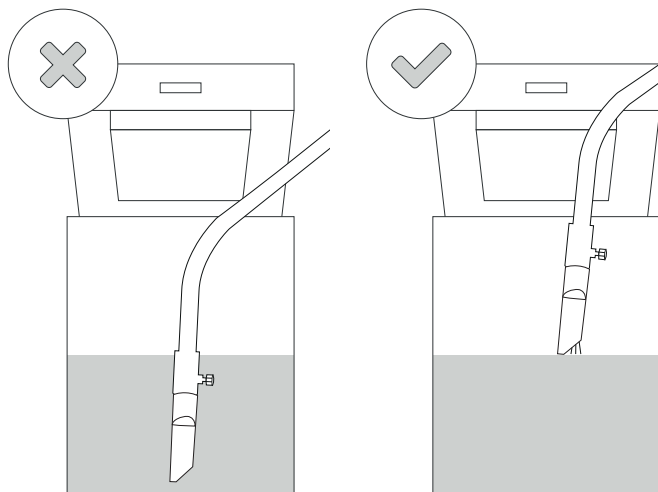


Image 11. Incorrect and correct removing the powder from the print chamber.



ATTENTION!

- The highest efficiency of the powder separator can be achieved by maintaining an even air and powder flow.
- Always suck in the powder and air, and then the separation will take place correctly, with less lost powder entering the vacuum cleaner.

3. For proper operation of each device (vacuum cleaner/separator), it is necessary to leave some free space in the container in order to keep the air access.
4. The capacity of the collected material in powder separator should not exceed 3/4 of the container. Risk of sucking in excess powder through the vacuum cleaner (Image 12).

POWDER → ONLY 3/4 OF THE CONTAINER

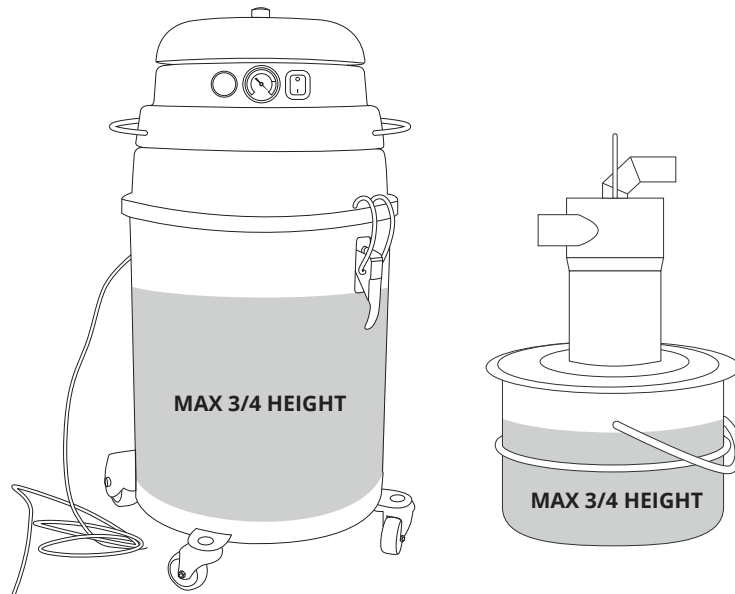


Image 12. Maximum capacity of the powder.

8. Removing powder from the Sinterit Powder Separator

1. Wait **about 1** minute after switching off the vacuum cleaner. The powder inside the powder separator must fall freely.
2. Unlock and lower the Clamping ring **6**.
3. Lift the body of the powder separator **1** carefully and disconnect it from the Metal container **8**.
4. Place the powder separator body on the work tray so that the powder from the bottom of the Container lid does not pollute the surface around.
 - If you have a spare Metal container (e.g. from the Sinterit Powder Sieve), you can install the powder separator on it immediately.

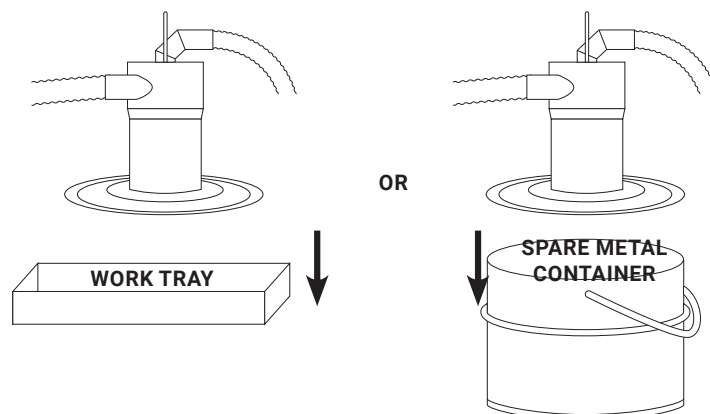


Image 13. Two ways to work safely and clean with the powder separator.



5. Pour the contents of the Metal container into the Sinterit Powder Sieve and sieve immediately (Image 14).
6. Add the amount of powder indicated in Sinterit Studio and mix with the sieved powder. You can sift again so that the two powders mix well together (Image 14).
7. Put the powder separator and the Clamping ring back on the emptied Metal container. Check the fit and tightness of the connection (Container lid, Metal container and Clamping ring).
8. Check the grounding wire connection.

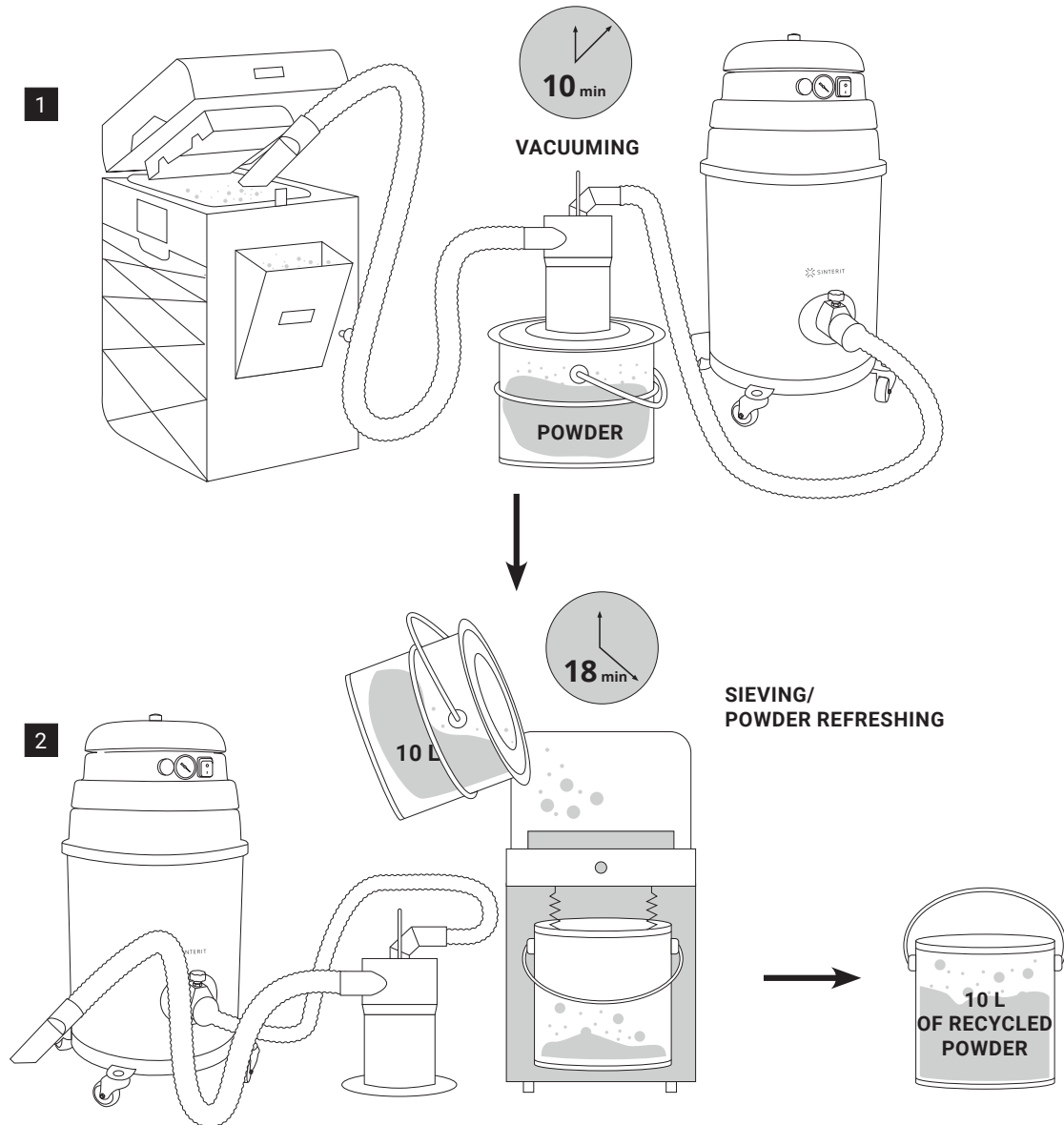





Image 14. The complete powder working process with the Sinterit Cleaning System.



9. Maintenance of the Sinterit Powder Separator

	<p>ATTENTION! Before starting any maintenance or cleaning job, always wear adequate protective clothing, eyewear, face mask, and/or gloves according to the type of job to be done.</p>	
	<p>ATTENTION! Any maintenance or cleaning job must only be executed in a non-classified atmosphere, which means in an area with non potentially explosive atmosphere.</p>	

A. CLEANING THE SINTERIT POWDER SEPARATOR

1. Wait **about 1** minute after switching off the vacuum cleaner. The powder inside the powder separator must fall freely.
2. Unlock and lower the Clamping ring.
 - Do not disconnect the grounding from the vacuum cleaner and powder separator!
3. Lift the body of the powder separator carefully and disconnect it from the Metal container.
4. Place the powder separator body on the work tray so that the powder from the bottom of the Container lid does not pollute the surface around.
5. Disconnect the Antistatic hose 32/50 **10** connecting the powder separator to the vacuum cleaner.
6. Switch the Antistatic hose \varnothing 40mm (from Inlet tube **4**) to the Sinterit ATEX Vacuum Cleaner. Remember to installing the aluminium connector 40/50.

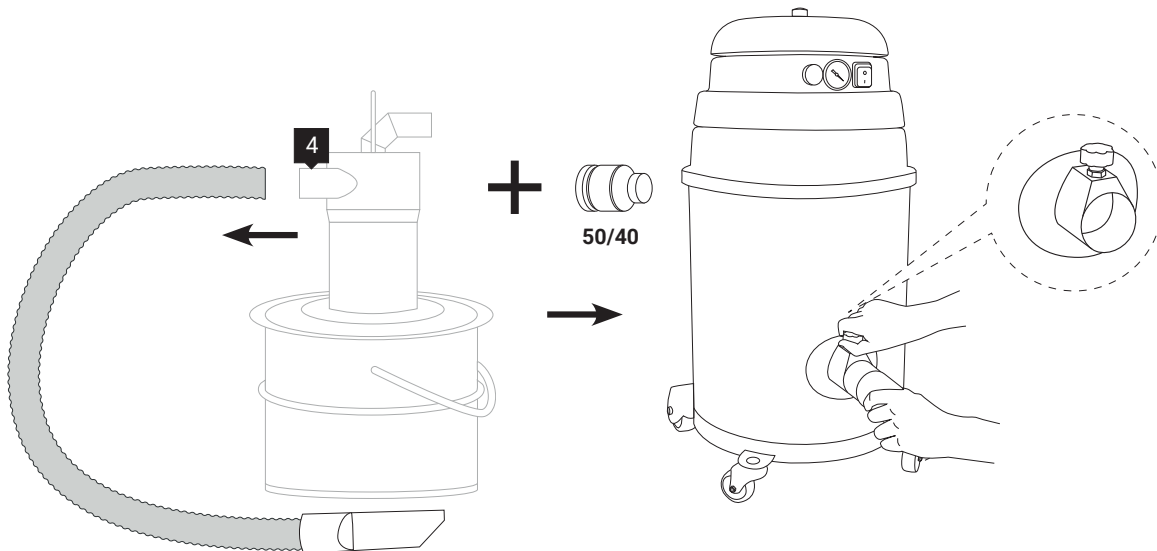


Image 15. Switching the Antistatic hose \varnothing 40 mm from the powder separator to the vacuum cleaner.

7. Thoroughly vacuum the entire powder separator, especially the bottom of the Container lid and Inlet tube. Also vacuum off the Metal container, especially when you plan to change powder (e.g. from PA12 to FLEXA). Use the Sinterit ATEX Vacuum Cleaner.
8. To thoroughly clean the inside of the powder separator, we suggest using compressed air or a compressor. Watch out for powder that may come out from inside.



B. PERIODICAL MAINTENANCE

EVERY DAY	<ul style="list-style-type: none">• Make sure that the Metal container 7 is not full. It is recommended to empty the Metal container after each use.• Check the condition of the Antistatic hose 11 and other accessories to be used. Any hole, crack or fissure in the Antistatic hose will reduce suction power and disperse the vacuumed dust into the environment.
EVERY WEEK	<ul style="list-style-type: none">• Clean the powder separator, removing dust deposits. The thickness of the deposited dust must not exceed 2mm.
EVERY MONTHS	<ul style="list-style-type: none">• Check that the nut of the grounding system 8 (on the Grounding clamp) is tightly screwed in.• Screws and nuts must always be tightened.• Check the condition of the Grounding clamp 9.• Check the metal ties 13 and 14 on the Antistatic hose (connection to Outlet tube and Aluminium connector 32/50). Replace with new ones if damaged (Image 16).

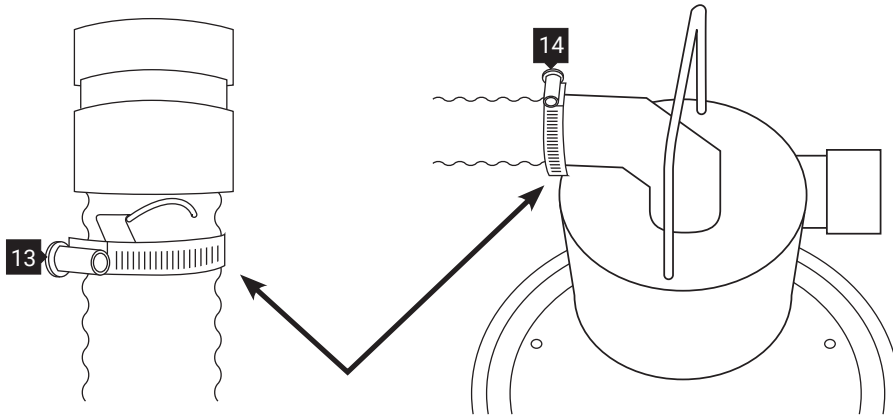


Image 16. Location of metal ties on the Antistatic hose.

C. CLEANING OR SERVICING THE ANTISTATIC HOSE Ø 32MM



ATTENTION!

- The following steps apply to both ends of the Antistatic hose.
- Take special care when carrying out service work.
- Incorrect connections of the Antistatic hose to the Aluminium connector (or outlet tube) will result in interruption of the grounding continuity.



1. Unscrew (loosen) the metal tie around the Antistatic hose **13** or **14**.
2. Remove the Antistatic hose from the outlet tube / remove the Aluminium connector 32/50.
3. Carry out service work:
 - clean the inside of the hose/outlet tube powder (You can use compressed air);
 - clean/replace the Aluminium connector 32/50;
 - other necessary.
4. Check the Grounding wire status of the Antistatic hose. It should be bent into the hose (Image 17).
5. Insert the Aluminium connector 32/50 into the Antistatic hose/insert the Antistatic hose into the Outlet tube. 1.
6. Make sure that the grounding of the Antistatic hose is in contact with the Aluminium connector/Outlet tube. Only then will the continuity of grounding be maintained (Image18).
7. Place the metal tie back in place. Make sure that it presses the grounding of Antistatic hose to the connector/Outlet tube (Image 19).

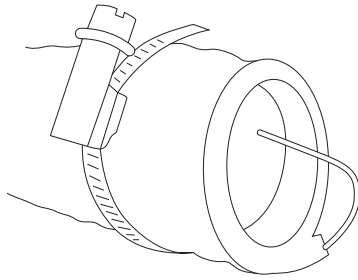


Image 17. Grounding wire in the Antistatic hose.

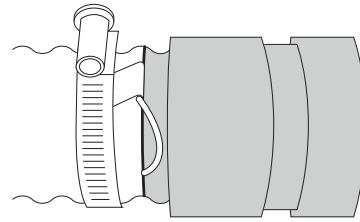


Image 18. Correct connection of Antistatic hose and Aluminium connector (grounding is visible).

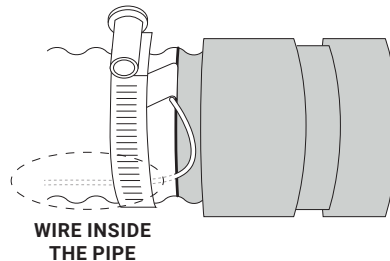


Image 19. The metal tie provides the connection of the Antistatic hose to the Aluminium connector 32/50 and continuity of grounding in the powder separator.

10. General legal information

Where this manual refers to Sinterit or the Company, this means Sinterit sp. z o.o. with its legal seat in Krakow, registered by the District Court for Kraków-Śródmieście in Krakow, XI Commercial Division of the National Court Register under number: 535095, NIP (tax number): 6793106416, with the share capital for a date of publication of this manual of PLN 83,750 (say: eighty-three thousand seven hundred fifty).

This document contains material protected under copyright and industrial property laws. This means that the document may not be, including but not limited to, reproduced or modified without the consent of Sinterit.

This manual serves to assist you in the correct use of the device, perform basic maintenance and, if necessary, to solve simple problems, allowing you to maintain the device in a good condition.

This manual contains content exclusively for the provision of information and the use by individuals professionally trained and engaged in the operation and maintenance of the equipment described below.

The information contained in this document is intended for use only with the product called Sinterit Powder Separator. Due to the constant development of Sinterit's products the information contained in this manual, specifications and markings are subject to change without notice.

11. Disclaimer

Sinterit is not responsible for any use of this information in relation to other products.

Sinterit is not liable for any damages, including but not limited to losses or lost profits, resulting from the use of any materials (consumables) other than those provided to the purchaser by Sinterit.

Sinterit is not liable to the purchaser of the product or any third party for any damages, including but not limited to losses or lost profits resulting from improper use of the product, particularly not in accordance with this manual, or modifications or repairs unauthorised by Sinterit or improper maintenance.

Although every effort has been taken to provide accurate information about the product, Sinterit assumes no responsibility for any incorrect information or omission. Sinterit reserves the right to correct any errors and disclaims any liability in situations resulting from these errors.

Further limitations or exclusions of Sinterit's liability may result from the applicable laws or agreements entered into with the purchaser of the products.



12. Trademarks

Sinterit logo is a registered trademark of the Company.

13. Terms of warranty

The terms of the warranty are set forth in the agreement between the buyer and the Company.

In case of a purchase made in the Sinterit online shop, the terms of the guarantee are specified in the Terms and Conditions, subject to the acceptance of the Customer before placing an order.

In case of purchases made outside the Sinterit online store, the warranty terms may be specified in the offer, or in another form chosen by the Company to provide the customer with relevant information before making a purchase decision.

Sinterit's warranty does not cover including but not limited to:

- damages, abnormalities or malfunction caused by a client or any third party,
- damages, abnormalities or malfunction caused by inappropriate use, effects of force, insufficient or inappropriate maintenance, abnormal operating conditions, incorrect installation or inadequate servicing,
- damages, abnormalities or malfunction caused by dismantling, alterations, tuning or other changes of the product by a client or any third party made without written consent of Sinterit,
- damages, abnormalities or malfunction caused by or related to use of consumables other than those being supplied by Sinterit,
- damages, abnormalities or malfunction caused by or related to use of product against instructions/manuals or safety regulations,
- damages or abnormalities Sinterit is not liable for, according to the applicable law,
- damages exceeding the price paid by the client,
- costs incurred by the client in connection with the conclusion of the product sale agreement as well as storage and/or insurance of products,
- damages of property caused by the defect of the product,
- loss of profits,
- incidental, indirect, consequential damages.

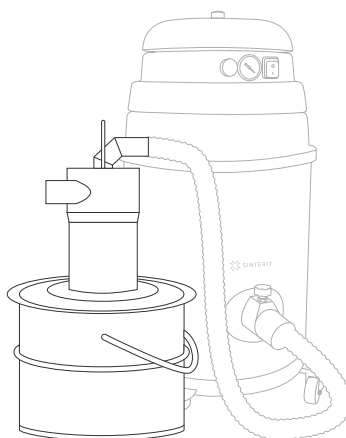
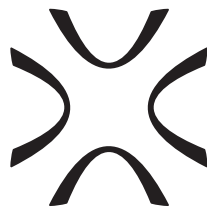
The warranty does not cover any cleaning of working parts.

14. Technical support

The latest information, technical support and versions of the manual are available by contacting us through:

- email: www.sinterit.com/support-page
- phone: +48 570 702 886

The list of distributors and technical support in specific countries can be found at www.sinterit.com/contact.



SINTERIT Sp.z o.o.
ul. Nad Drwiną 10 bud. B3, 30-741 Kraków, Poland
www.sinterit.com
Contact: +48 570 967 854