

Sinterit SANDBLASTER XL

USER MANUAL



Read the instruction manual before using the device.



Table of contents

1. Marking text conventions used in a document.....	3
2. Safety Information	4
A. Environment and place of installation	4
B. General safety rules	4
C. Personal protection	4
D. Power supply	5
E. Safety during sandblasting, repair and maintenance	5
F. Scrapping	5
3. Contents of the Sinterit SANDBLASTER XL pack	6
A. Contents of the box with Additional Equipment	6
B. Inside of the sandblaster chamber you find	7
4. Sinterit SANDBLASTER XL	7
A. Description	7
B. Specification:	9
5. Initial startup of the Sinterit SANDBLASTER XL after delivery	10
6. Sandblasting the printouts	13
7. Maintenance of the Sinterit SANDBLASTER XL.....	15
A. Maintenance of the viewing window of the sandblaster.....	15
B. Replacement of the Abrasive material	16
Exchange of Abrasive material with Sinterit ATEX Vacuum Cleaner.....	16
Standard exchange of Abrasive Material	16
C. Replacement of the ceramic nozzle from the Inner Air Blow Gun	17
D. Replacement of Protective Rubber Gloves	17
8. Troubleshooting	18
9. General legal information	18
10. Disclaimer	19
11. Trademarks	19
12. Terms of warranty.....	19
13. Technical support	19

The SANDBLASTER XL is designed for cleaning, polishing and finishing of printouts, using dry abrasive material only. Sandblaster does not include an air compressor.



1. Marking text conventions used in a document

Listed below are descriptions of symbols used on the device. They constitute a warning or convey the information to protect the user, other individuals or surrounding objects and ensure the correct and safe use of the device.

	WARNING! An inevitably dangerous situation which can result in serious injury or even death. Initiation, the omission of a specific procedure or inattention can cause severe physical injury to the user.
	ATTENTION! Initiation or omission of a specific procedure can cause physical damage to the equipment or the user.
	ATTENTION! Risk of electric shock which can be fatal or cause severe burns. An inevitably dangerous situation which can result in serious injury or even death, if not mitigated. Before working with any equipment, you should be aware of the dangers associated with the flow of electric current, and become familiar with the standard procedures to prevent accidents.
	CAUTION! Beware of moving parts which can crush hands.
	WARNING! Risk of fire and explosion! Avoid fire! Powder dust is flammable.
	STOP! Action prohibited.
	ATTENTION! It is necessary to wear protective gloves and a face mask. Mandatory action when working with powder.
	ATTENTION! It is necessary to wash hands after each use of the Sandblaster XL.
	IMPORTANT! Information essential to correctly perform a specific task.
	IMPORTANT! You must read the instructions before taking action.



2. Safety Information

The Sinterit SANDBLASTER XL may create a powerful stream of abrasive particles. To avoid injuries and/or property damage, carefully read the instruction manual before assembling, operating or performing maintenance of the sandblaster. At all times use your common sense when operating machines.

A. ENVIRONMENT AND PLACE OF INSTALLATION

	<p>WARNING!</p> <ul style="list-style-type: none">• The sandblaster must be positioned protected against atmospheric agents (rain, hail, snow, fog, dust in suspension, etc.) with an environmental running temperature between 5°C and 45°C and relative humidity not above 70%.• The work environment must be clean, well-enough lit and devoid of the explosive atmosphere.• Keep the working environment clean and well-lit, debris and bad lighting are factors that cause dangerous situations.• Never use this machine in a dangerous working environment. The use of power equipment in moist environments or rain can cause electrocution.• Place the unit on a solid and level surface.
--	------------------------------------------------------------------------------------------------------------------------------------------------------------------------------------------------------------------------------------------------------------------------------------------------------------------------------------------------------------------------------------------------------------------------------------------------------------------------------------------------------------------------------------------------------------------------------------------------------------------------------------------------------------------------------------------------------------------------------------------------------------

B. GENERAL SAFETY RULES

	<p>WARNING!</p> <ul style="list-style-type: none">• Only adults should use the sandblaster.• When using the machine, mind other people, especially children. Keep kids and visitors at a safe distance.	
	<p>WARNING!</p> <ul style="list-style-type: none">• Fire and explosion hazard! The sandblaster must not be operated in a corrosive or explosive environment.• Avoid prolonged contact with solvents and inhaling their vapours.• Avoid using the device close to open flames or sources of heat.• Never use this machine near flammable liquids and/or gases.	

C. PERSONAL PROTECTION

	<p>WARNING!</p> <ul style="list-style-type: none">• The operator must always wear antistatic clothes and shoes.• The floor of the area to be vacuumed must be antistatic.	
	<p>WARNING!</p> <ul style="list-style-type: none">• During operation, do not expose your skin or hands directly to the line of operation of the Sinterit SANDBLASTER XL Static Nozzle 19 and Air Blow Guns D, 20.• Prevent breathing in dust at all times, wear respiratory protection at all times. When one enters the room where the sandblaster stands with regard to particulate matter that is released during the blasting and remains in the air.• Breathing in particulate matter causes serious lung problems.• At all times wear Protective Dust Mask and Protective Glasses when opening the cover after using the machine (e.g. you can use the "PERSONAL PROTECTION" set included with Lisa printers).	

**ATTENTION!**

After each use of the Sinterit SANDBLASTER XL, wash your hands.



D. POWER SUPPLY

**WARNING!**

- Before plugging in, make sure the power voltage and frequency are those shown on the machine safety plate.
- Make sure the machine is properly grounded. In case you are using an extension, check if it is grounded and if the capacity is sufficient.
- During use, mind the power supply cables and avoid crushing or pulling these.
- Periodically check the mains power cable to ensure it is not damaged.
- In the event of the cable, plugs or couplings being replaced, make sure these are protected against water spray and check mechanical strength.

**STOP!**

- Never touch electric cables, switches, buttons, etc. with wet hands.
- In the event of the cable being damaged, the machine must not be used.
- Never pull the machine by means of the power cable.



E. SAFETY DURING SANDBLASTING, REPAIR AND MAINTENANCE

**ATTENTION!**

- Check the quality of all hoses and pneumatic tubing before each use. Check that all connections are secured.
- Check the machine previous to each use for damaged and/or defect parts. Pay special attention if all seals are still good and check all tubing for leakages.
- Check that all components of the Sinterit SANDBLASTER XL are properly sealed.
- Check the machine for defects previous to each use, in case of a defect, or when the machine does not function properly, first have it repaired by a specialized person/company.
- Failure to heed these instructions may cause damage to materials and/or injures!

**ATTENTION!**

- Do not direct the Air Blow Guns **D, 20** at people or objects.
- Do not exceed the maximum operating pressure of the Sinterit SANDBLASTER XL.

F. SCRAPPING

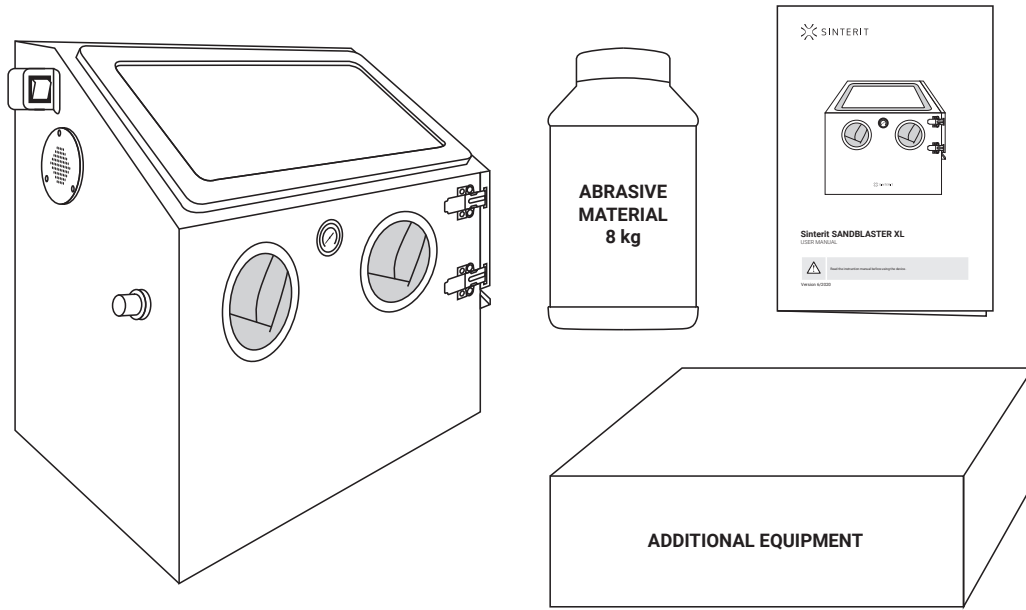
**IMPORTANT!**

In case of scrapping, all the component parts of the sandblaster will have to be disposed of through adequate disposal channels in accordance with applicable legislation. Before scrapping, all plastic and rubber parts will have to be separated from the electrical material. Parts made of plastic, aluminium and steel only may be recycled if collected by special centres.

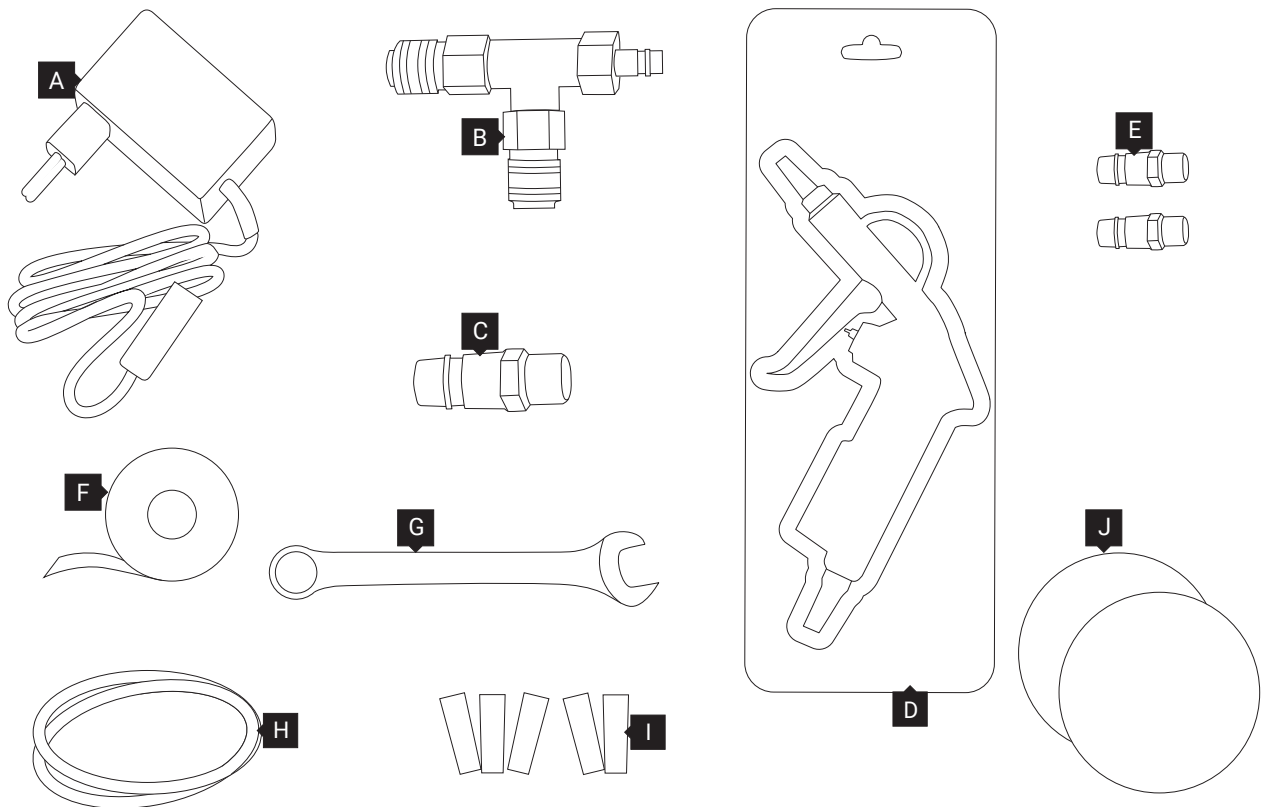




3. Contents of the Sinterit SANDBLASTER XL pack



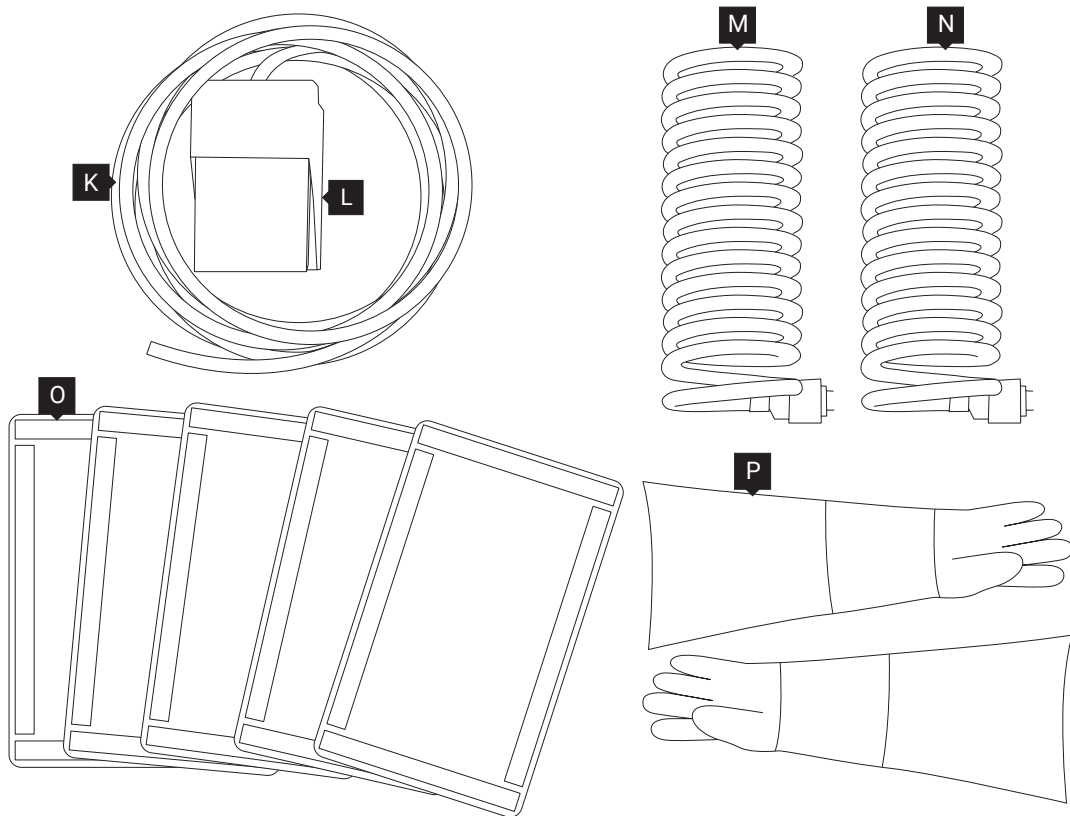
A. CONTENTS OF THE BOX WITH ADDITIONAL EQUIPMENT



A.Power supply (US or EU version with proper plug) / **B.**T-type push-in pneumatic fitting / **C.**Pneumatic nipple / **D.**Air Blow Gun / **E.**Pneumatic nipples for Control pedal (2 pcs.) / **F.**PVC protection tape / **G.**Wrench (for nozzle) / **H.**Spare gasket / **I.**Replaceable ceramic nozzle for Inner Air Blow Gun (5 pcs.) / **J.**Spare lock hole covers (2 pcs.)



B.INSIDE OF THE SANDBLASTER CHAMBER YOU WILL FIND



K.Control pedal's pneumatic tubings (red and black) / L.Control pedal / M.Air Blow Gun pneumatic tubing / N.Compressor pneumatic tubing / O.Replaceable PE protective foil for SANDBLASTER XL viewing window (5 pcs.) / P.Spare Protective Rubber Gloves

4. Sinterit SANDBLASTER XL

A. DESCRIPTION

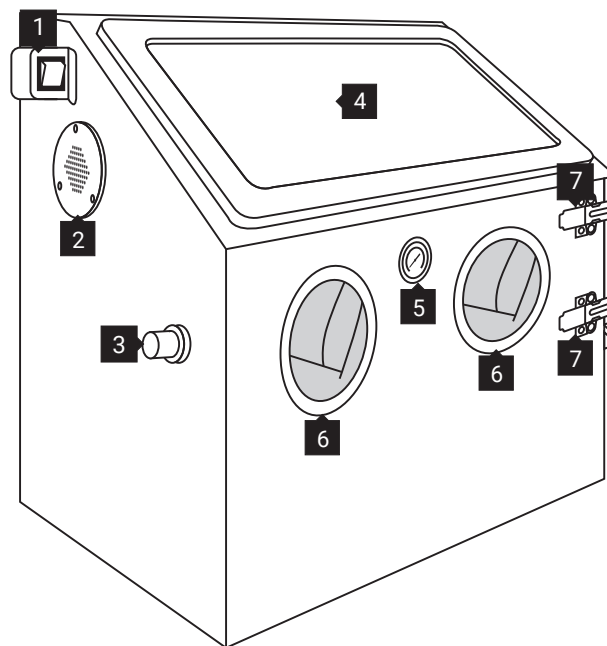


Image 1. View of the Sinterit SANDBLASTER XL front and left side.
1.Power switch / 2. Air filter outlet cover / 3.Pneumatic pressure regulator / 4.Viewing window / 5.Pressure gauge / 6.Protective Rubber Gloves / 7.Door locks

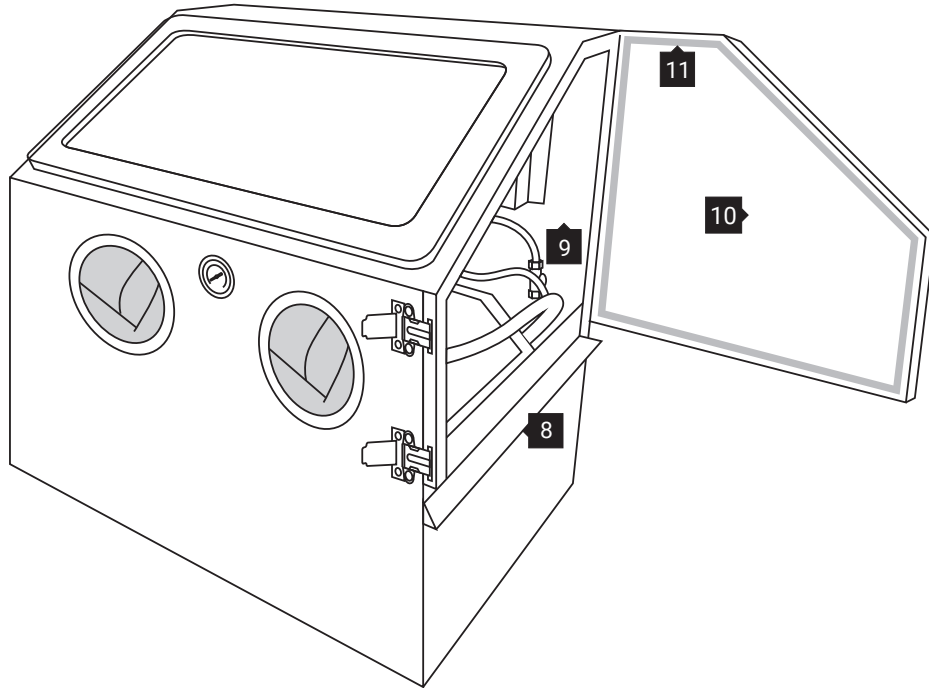


Image 2. View of the Sinterit SANDBLASTER XL front and right side.
8. Gutter (for collecting dust) / 9. Sandblaster chamber / 10. Door / 11. Door gasket

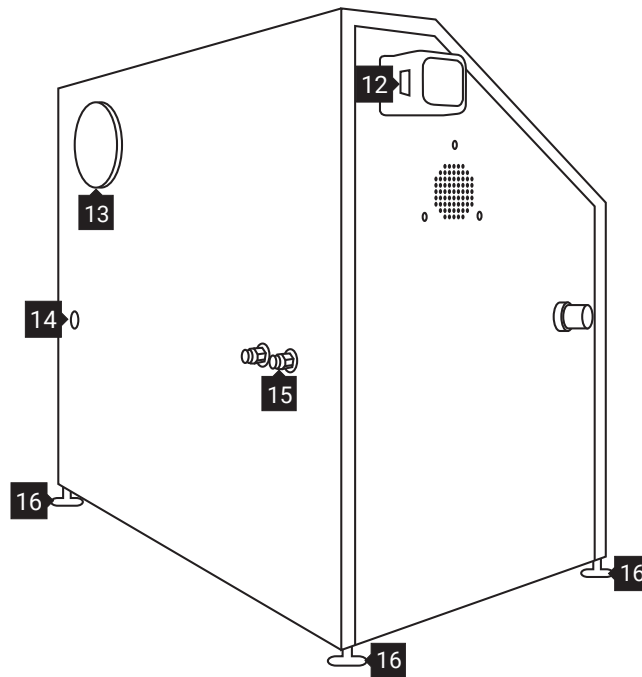


Image 3. View of the Sinterit SANDBLASTER XL back and left side.
12. Power socket / 13. Lock hole cover / 14. Pneumatic nipple input / 15. Control pedal nipples input / 16. Adjustable mounting feet (4 pcs.)

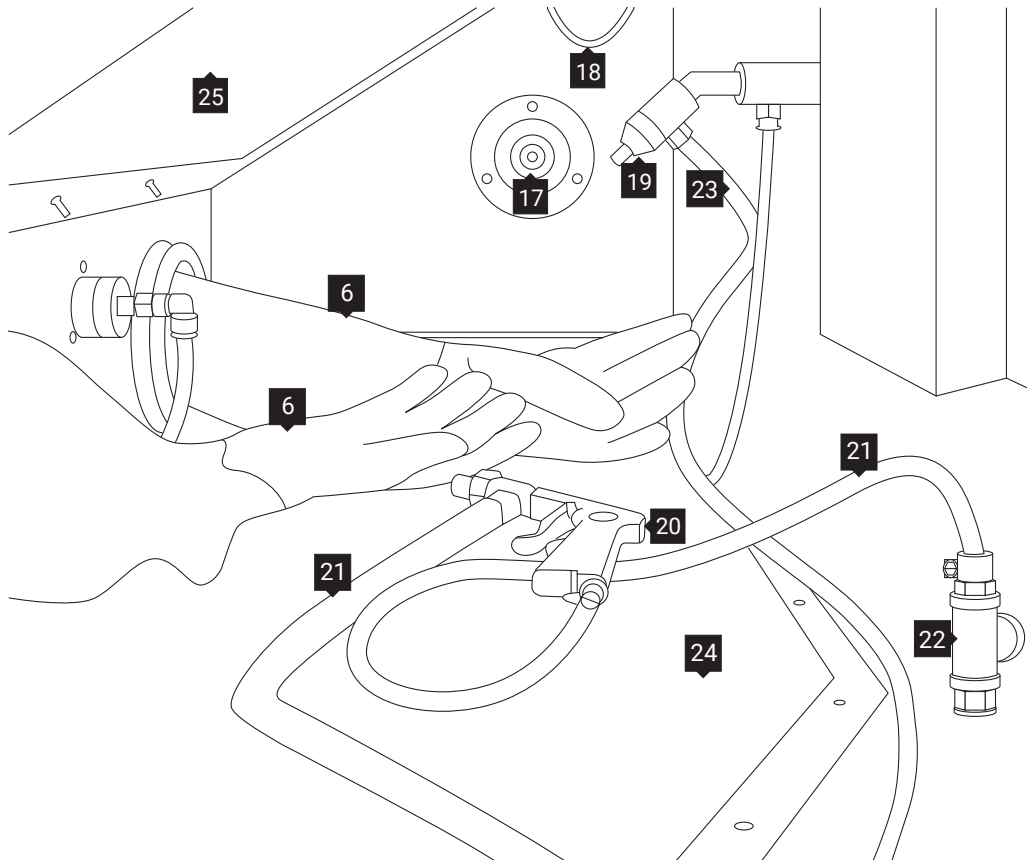


Image 4 View of the Sinterit SANDBLASTER's XL inner chamber.

- 17. Air filter / 18. LED light / 19. Static Nozzle (nozzle lock nut with ceramic nozzle) / 20. Inner Air Blow Gun /
- 21. Inner Air Blow Gun pneumatic tubings / 22. Inner T-type push-in pneumatic fitting (for Inner Air Blow Gun) /
- 23. Static Nozzle Pneumatic tubing / 24. Inner chamber grid / 25. PE protective foil for viewing window

B. SPECIFICATION:

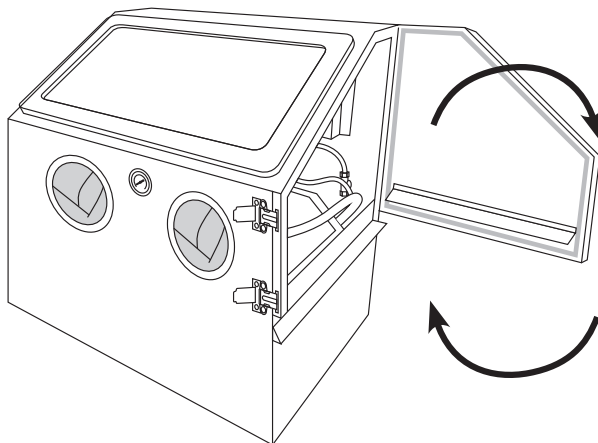
TECHNICAL DATA	
Dimensions	760 x 500 x 720 [mm] (29.9 x 19.7 x 28.3 [in])
Weight	27 kg] (59.5 [lbs])
Working area	675 x 450 x 415 [mm] (26.6 x 17.7 x 16.3 [in])
Type of sandblaster	Stationary. Manual.
PACKAGING	
Size of package	760 x 500 x 720 [mm] (29.9 x 19.7 x 28 [in])
Package weight	40 [kg] (88.2 [lbs])
Package contents	Sandblaster + 8 [kg] (17 [lbs]) of Abrasive material + User Manual + Accessories
POWER	
Power supply	230 [V] / 50 [Hz] or 120 [V] / 60 [Hz]



Average power consumption	6 [W]
Max. pressure	8.6 [bar] (125 [psi])
Working pressure	5.0-8.6 [bar] (72.5-125 [psi])
Min / Max air consumption (suggested air compressor parameter)	290 [l/min]
ABRASIVE MATERIAL	
Type	Glass balls
Size of material	200 [µm]
Abrasive material container capacity	10 [kg] (22 [lbs])
SAFETY	
Certificates	CE

5. Initial startup of the Sinterit SANDBLASTER XL after delivery

1. Remove all the solid protective packaging.
2. Gently pull out the Sinterit SANDBLASTER XL and other accessories.
3. Remove the bubble wrap and place the machine on a stable surface.
4. Check the leveling of the sandblaster. In case of problems, correct with Adjustable mounting feet **16**.
5. Take from the box with additional equipment: Power supply **A**, T-type push-in pneumatic fitting **B**, Pneumatic nipple **C**, Air Blow Gun **D**, Two Pneumatic nipples for Control pedal (with blue-collar) **E**.
6. Unlock the two sandblaster door locks **7** and open the door **10**.



Remove from inside:

- Transport protection
- Pneumatic tubings **M**, **N**
- Control pedal's pneumatic tubings **K**
- Control pedal **L**
- Replaceable PE protective foils **O**
- Spare Protective Rubber Gloves **P**

Check the fitting and tightness of:

- Protective Rubber Gloves **6**
- Inner Pneumatic tubings **21**, **23**
- Static Nozzle **19**
- Air filter **17**
- Door gasket **11**

7. Plug the Power supply **A** into the sandblaster Power socket **12**.
8. **Connection of the compressor and external Air Blow Gun (Image 5):**
 - a. Remove the transport protection (plastic cable ties) from the Inner T-type push-in pneumatic fitting **22** and Inner Air Blow Gun **20**.
 - b. Put the Inner T-type push-in pneumatic fitting through the Pneumatic nipple input **14**.
 - c. Push the Pneumatic nipple **C** on the protruding end.
 - d. Connect the T-type push-in pneumatic fitting **B** to the Pneumatic nipple **C**, and then, on both sides, the Pneumatic tubings **M**, **N**.
 - e. Plug the Air Blow Gun **D** into the left tubing and the compressor into the right tubing. REMEMBER: the compressor is not included in the Sinterit SANDBLASTER XL set.

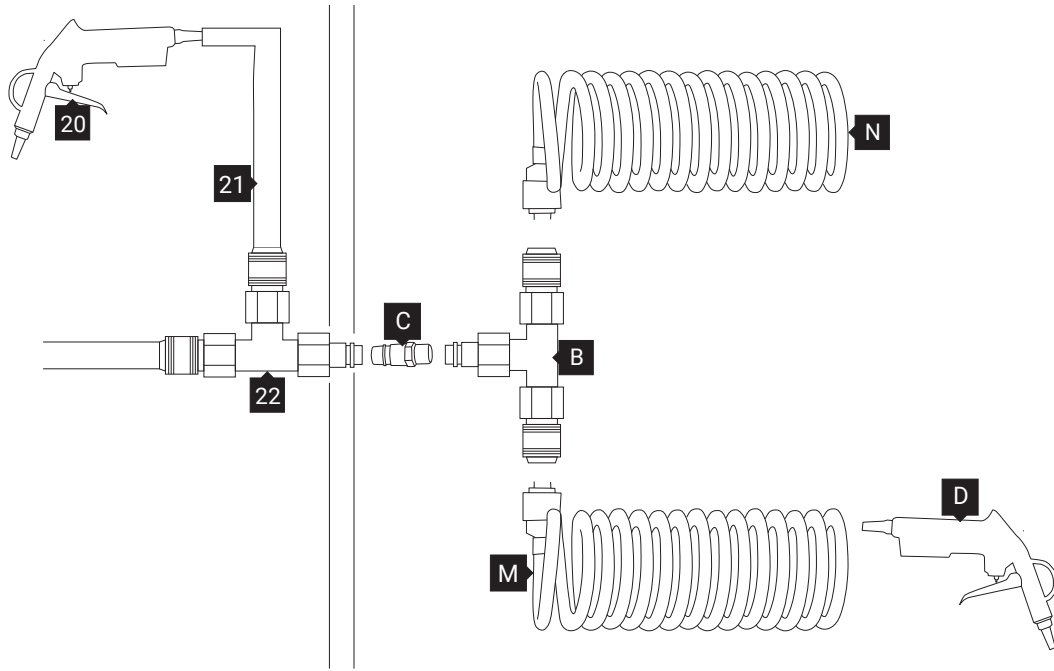


Image 5. Correct connection of the compressor and external Air Blow Gun.

9. Connection of the Control Pedal (Image 6):

- a. Connect two Pneumatic nipples **E** to the Control pedal nipples input **15**. They must connect to the pneumatic tubings inside the sandblaster **26**.
- b. Connect properly the Control Pedal pneumatic tubings **K** to the Pneumatic nipples **E**: black collar – black tubing, no collar – red tubing.
- c. Push the Pneumatic tubings **K** to the Control pedal **L** accordingly: black collar (A) - black tubing, red collar (P) - red tubing.

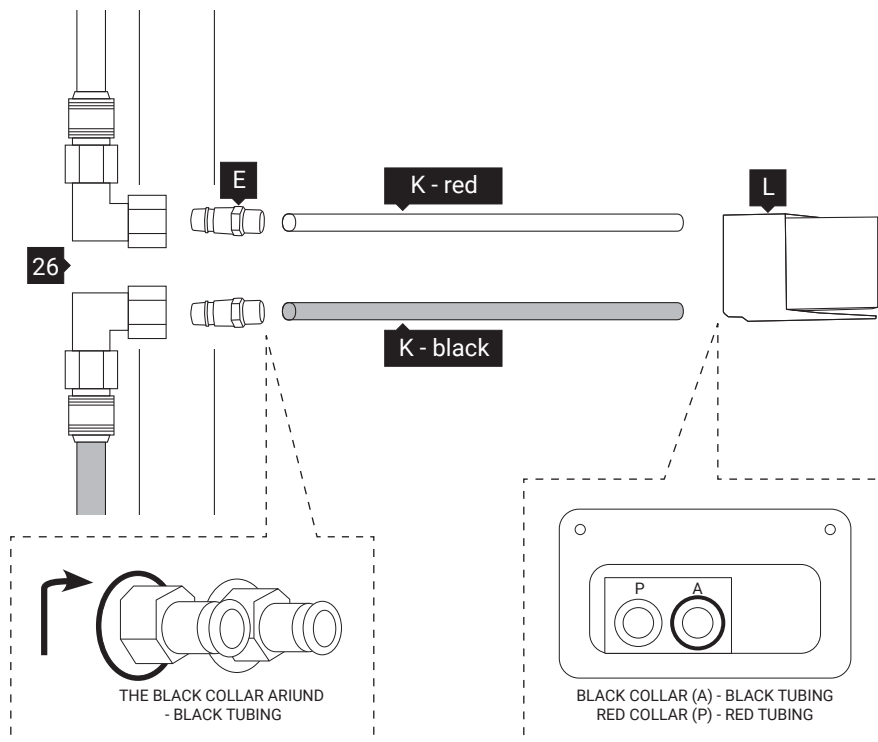





Image 6. Correct connection of the Control pedal pneumatic tubings to the Sinterit SANDBLASTER XL.



 	ATTENTION! <ul style="list-style-type: none">• Before starting any job with an Abrasive material, always wear Protective Glasses, Protective Dust mask, and optional gloves.• You can use use the “PERSONAL PROTECTION” set included with Sinterit Lisa printers.
	CAUTION! <ul style="list-style-type: none">• The Inner chamber grid 24 is heavy!• Danger of crushing upper limbs when rising the Inner chamber grid.

10. Take the container with the Abrasive Material supplied with the Sinterit SANDBLASTER XL, open it and gently pour it in through the hole in the grid **24**. Add not more than 10 kg / 22 lbs.

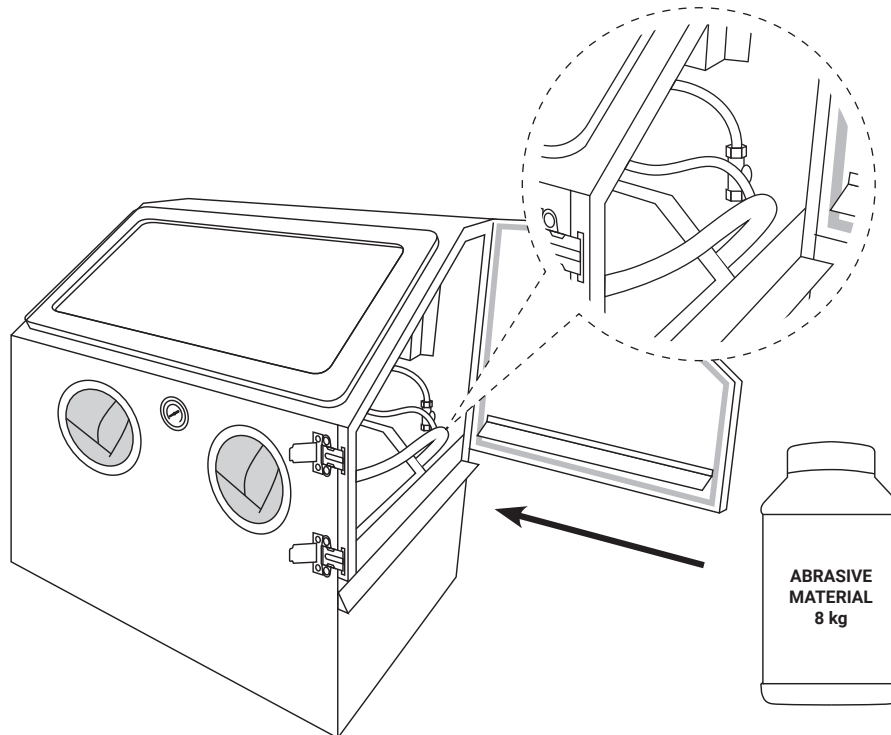





Image 6. Location of the hole in the grid for the Abrasive Material.


11. Check that the PE protective foil for viewing window **25** is installed (it is on default). Clean it with a soft cloth if necessary.
12. Close the sandblaster door **10** firmly.
13. Connect the power supply **A** to the power source.
14. Turn on the sandblaster with the Power switch **1**.
15. Check that the LED light **18** is working.
16. Turn on the compressor. Press Foot-operated Control pedal **L** and check all pneumatic tubings and joints for leaks in Static Nozzle **19**.
17. Also, check the tightness of connections in both Air Blow Guns (internal **20** and external **D**) – press the handle of each gun.
18. If there are any leaks, use Wrench **G** or PVC protection tape **F** to resolve the problem.



6. Sandblasting the printouts

	<p>ATTENTION!</p> <ul style="list-style-type: none">• Before starting any job with Sinterit SANDBLASTER XL, always wear Protective Glasses, Protective Dust mask, and optional gloves.• You can use use the “PERSONAL PROTECTION” set included with Sinterit Lisa printers.
	<p>ATTENTION!</p> <ul style="list-style-type: none">• It is strongly forbidden to start sandblasting when the sandblaster is not fully closed (open door) or when light 18 is not on.• Make sure the power switch 1 is OFF-position before plugging in the machine.• The Inner Air Blow Gun 20 and external Air Blow Gun D should always point away from the operator to the workpiece.
	<p>IMPORTANT!</p> <ul style="list-style-type: none">• Before you can start sandblasting make sure the printout is free of oil, water and moisture.• The Abrasive Material should be moist free. Moist grit clutters, which causes a bad flow and clogging.

1. Turn on the compressor and the Sinterit SANDBLASTER XL.
2. Check all the pneumatic tubings and joints for leaks. If they appear, replace the element or seal it with PVC tape **F** or Teflon tape (not available in the set).
3. Open the sandblaster door **10** and insert the printout into the chamber **9**.
4. Place the printout on the grid **24** under the Static Nozzle **19**.
5. Close the sandblaster door **10** firmly.

	<p>IMPORTANT!</p> <ul style="list-style-type: none">• Use the Inner Air Blow Gun 20 only for large and strong prints.• The Static Nozzle 19 is ideal for standard and fragile prints.• By default, ceramic nozzle no. 5 is installed in the Inner Air Blow Gun. You can also choose to use a larger or smaller ceramic nozzle (available in the Accessory box).• A bigger size ceramic nozzle gets the job done faster because it can blast a larger surface, this also causes a higher air consumption, make sure the compressor can handle it.
-------------------------------------------------------------------------------------	----------------------------------------------------------------------------------------------------------------------------------------------------------------------------------------------------------------------------------------------------------------------------------------------------------------------------------------------------------------------------------------------------------------------------------------------------------------------------------------------------------------------------------------------------------------------------------------------------------------

6. Use the Pneumatic pressure regulator **3** and the Pressure gauge **5** and set the work pressure of the compressed air between 5 and 8.6 bar (58-125 psi). You can start with a working pressure of 4-5 bar, then most workpieces can be blasted easily with this pressure.

7. In order to adjust the cleaning intensity in Static Nozzle **19**, unlock the regulating device by pulling the Pneumatic pressure regulator **3** and use the indications of the Pressure gauge **5** to select an appropriate value. After performing the adjustment, lock the Pneumatic pressure regulator by pressing the knob (Image 7).

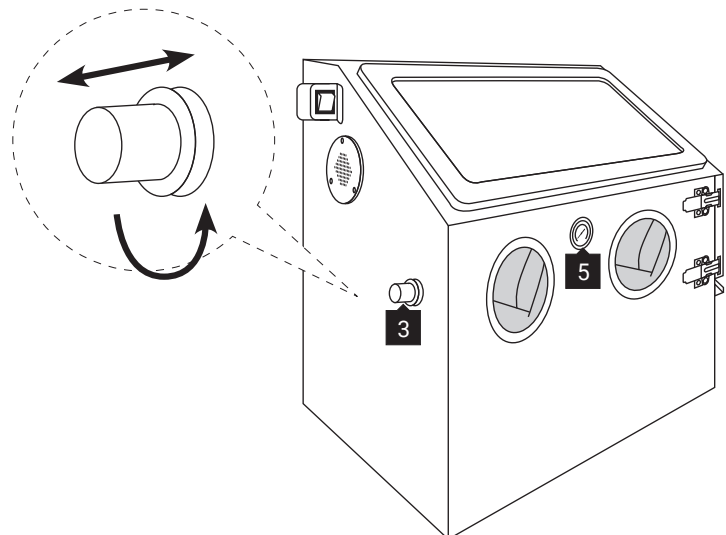


Image 7. Unlocking the pneumatic pressure regulator.



ATTENTION!

- The Inner Air Blow Gun **20** has no pressure adjustment - it is used to sandblast larger surfaces and elements.
- Adjust the sandblasting intensity appropriately, depending on the type of object to be cleaned.
- For solid, thick-walled objects, the pressure may be near the maximum, which is 8.6 bar (125 psi).
- For objects with openwork structure, it is recommended to lower the pressure to 5 bar (125 psi).
- If despite lowering the pressure, the object becomes damaged, select lower pressure value empirically, as appropriate.

- Put your hands in the Protective Rubber Gloves **6**, grab the printout and start cleaning by pressing the Control pedal **L**.
 - When using the Inner Air Blow Gun: do the same, but instead of using the Control pedal, press the handle of the Inner Air blow gun and start sandblasting.
- Sandblast the printout with a continuous stream of air, moving the printout in circular motions until all unnecessary powder is removed.
 - Keep the Inner Air Blow Gun **20** at an angle of 45-60 degree towards the work piece at a distance of 10-15 cm with the nozzle pointing towards the backside of the sandblaster.
 - Never hold the Inner Air Blow Gun in a 90 degrees toward the workpiece, this causes the grit to rebound back into a spray, which causes a less effective spray. This also causes extra wear to the gun and PE protective foil **25**.
- After cleaning the printout, wait a moment for the dust to fall off. Open the door and remove the sandblasted object.
- Close the door.
- All remaining powder and abrasive material can be blown out of the printout with an external Air blow gun **D**.
- After finishing work, turn off the pressure to 0 bar (0 psi) and turn off the sandblaster.



7. Maintenance of the Sinterit SANDBLASTER XL



WARNING!

Before replacing the accessories or beginning the assembly, repair, transport, or any form of maintenance, disconnect the Sinterit SANDBLASTER XL from the compressor, turn off the machine and unplug it from the power source.



Check before each use:

1. Check the sandblaster chamber **9** previous to each use for damaged and/or deformed parts.
2. Check all pneumatic tubings for wear and tear and check if the Static Nozzle **19** and Inner Air Blow Gun's nozzle **20** are not too worn.
3. Check if the Air filter **17** works well, clean it if necessary, finally, also check if the door **10** still close properly (check the door gasket **11**).
4. Clean the window (outside and inside) and the parts of the sandblaster with a soft cloth. Do not use any solvents for cleaning!
5. Avoid allowing moisture into the abrasive material, as it may cause clogging of the nozzles.
6. In case of a malfunction/defect, do not use the sandblaster until it has been repaired.

A. MAINTENANCE OF THE VIEWING WINDOW OF THE SANDBLASTER

1. Use a soft cloth or paper towels to clean the sandblaster Viewing window **4**.
2. When the Viewing window **4** itself is damaged, replace it by safety glass with the same thickness and measurements. Contact with Sinterit Support.
3. Poor visibility inside the sandblaster can be caused by damaged PE protective foil **25**, which is placed over the Viewing window **4** (inside the chamber). This can easily be replaced by new foil (the five spare PE protective foils **0** are available in additional accessories of the Sinterit SANDBLASTER XL).
 - Remove the old PE protective foil **25**.
 - Clean the inside of the Viewing window **4** with a soft cloth (it is best to soak it with alcohol).
 - Wait until all it dries and carefully place the new PE protective foil **0**.

B. REPLACEMENT OF THE ABRASIVE MATERIAL

1. In case the Abrasive material is clotting, this means there is moisture in the compressed air or there is moisture/oil in the system. This leads to clogging and an uneven spray.
2. It could also be that there is too much debris in the Abrasive material, this can be solved by filtering/replacing it.
3. When the spray is often disrupted, place a thumb (WITH PROTECTIVE RUBBER GLOVES ON) over the Static Nozzle **19** and (press firmly) and depress the Control pedal **L** for a few seconds. Now the air blows back into the suction pneumatic tubing, which can dissolve possible obstructions.



STOP!

The user is responsible for disposing of used Abrasive material in accordance with applicable laws.





EXCHANGE OF ABRASIVE MATERIAL WITH SINTERIT ATEX VACUUM CLEANER

To remove the used Abrasive material from the inside of the sandblaster we recommend using Sinterit ATEX Vacuum Cleaner.

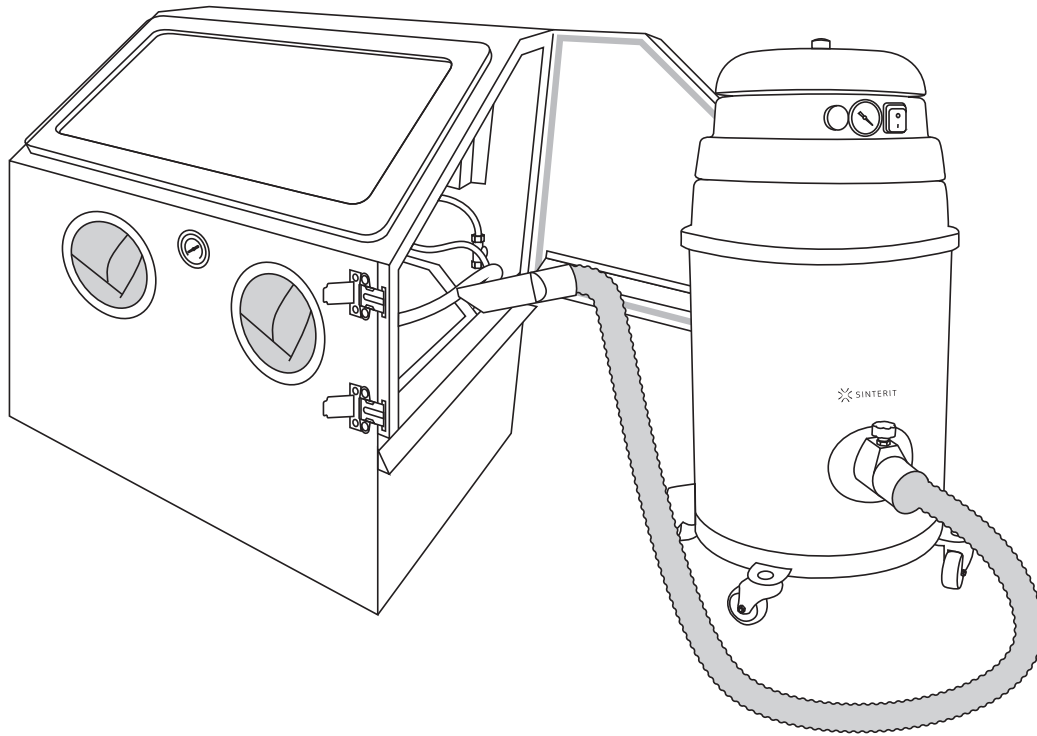


Image 8. One way to remove used Abrasive material is to use the Sinterit ATEX Vacuum Cleaner.

1. Disconnect the sandblaster from the Power supply **12** and the compressor **14**.
2. Gently lift the sandblaster grid **24** and insert the rubber nozzle of the vacuum cleaner into the chamber.
3. Turn on the vacuum cleaner and remove all used Abrasive material, also clean the remaining parts in the chamber (Air filter, pneumatic tubes, housing, Protective Rubber Gloves).
4. Gently transfer the whole contents of the vacuum cleaner into the sealed container. Treat it as industrial waste. Dispose it in accordance with local waste management policy.
5. Take the container with the new Abrasive material open it and gently pour it in through the hole in the grid **24**. Add not more than 10 kg / 22 lbs.
6. Connect the Power supply and the compressor.

STANDARD EXCHANGE OF ABRASIVE MATERIAL



WARNING!

A second person is required to help with the standard Abrasive material change. The Sinterit SANDBLASTER XL with the Abrasive weighs approx. 40 kg – improper maintenance (without the help of a second person) can cause injury.



CAUTION!

- The Inner chamber grid **24** is heavy!
- Danger of crushing upper limbs when rising the Inner chamber grid.



1. Disconnect the sandblaster from the Power supply **12** and the compressor **14**.
2. Remove the grid **24** carefully from inside of the sandblaster **9**. Put it on the work tray (so as not to contaminate the workplace).
3. Prepare a container for used Abrasive material.
4. The plastic cork **27** for removing the Abrasive material from inside the sandblaster is located in the middle of the bottom (Image 9).
5. With the help of another person, slide half of the sandblaster out of the worktop.
6. When one person is holding the sandblaster, the other person must place the container under the bottom of the sandblaster and unscrew the cork **27**.
7. When the contents of the sandblaster are poured to the container, quickly insert the cork in place and move the sandblaster to the workplace. Treat used Abrasive material as industrial waste. Dispose it in accordance with local waste management policy.
8. Take the container with the new Abrasive Material open it and gently pour it in. Add not more than 10 kg /22 lbs.
9. Put the grid in place. Be careful not to damage the components inside the sandblaster chamber.
10. Connect the Power supply and the compressor.

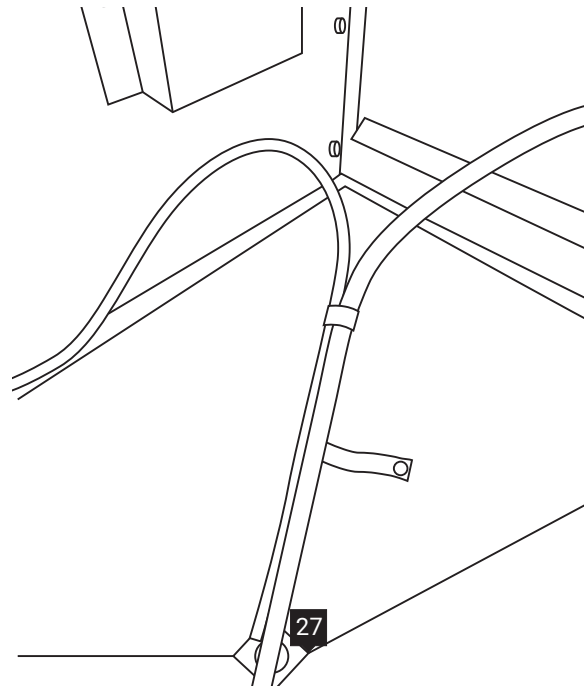


Image 9. The position of the plastic cork for removing used Abrasive material.

C. REPLACEMENT OF THE CERAMIC NOZZLE FROM THE INNER AIR BLOW GUN

1. Disconnect the sandblaster from the Power supply **12** and the compressor **14**.
2. Unlock the door **10** with the door 's lock **7** and open it.
3. Remove the Inner Air Blow Gun **20**.
4. Unscrew the nozzle lock and pull the ceramic nozzle out of it.
5. Clean the Inner Air Blow Gun of any possible dirt and powder.
6. Insert the new ceramic nozzle **1** into the nozzle lock nut (the five spares ceramic nozzles are available in additional accessories of the sandblaster. Remember, that they have different dimensions).
7. Tighten using the supplied wrench **G**. Put the Inner Air Blow Gun back into the sandblaster.

D. REPLACEMENT OF PROTECTIVE RUBBER GLOVES

1. Disconnect the sandblaster from the Power supply **12** and the compressor **14**.
2. Unlock the door **10** with the door 's lock **7** and open it.
3. To loosen the metal clamp around Protective Rubber Glove **6**, twist off the clamping screw.
4. Gently remove used Protective Rubber Gloves.
5. Clean the surface thoroughly from dirt.
6. Fit the Spare Protective Rubber Gloves **P** (one pair available in additional accessories of the sandblaster).
7. Mount the metal clamp back in place and tighten the clamping screw.



8. Troubleshooting

Fault symptoms	Possible Causes	Remedial actions
Excessive dust in the Sinterit SANDBLASTER XL.	Blocked vent or airflow.	Clean the vent and keep it away from the wall.
	Leakage at the pneumatic connections.	Tighten up the connections and check that they are all correct.
	Too much Abrasive material in the sandblaster.	Remove the excessive Abrasive material.
Inconsistent effects of the Abrasive material.	Moisture in the sandblaster.	Replace the Abrasive material.
Incorrect speed or inefficient sandblasting.	Abrasive material running out.	Replace the Abrasive material.
	Pressure too low.	Increase the inlet pressure and check that the air regulator is fully open.
The nozzle does not turn off.	Incorrectly connected control pneumatic tubings.	Connect the control pneumatic tubings properly.
	Lack of integrity in the control tubings.	
A flow of abrasive is too weak.	The Static Nozzle is clogged.	<ol style="list-style-type: none">1. Remove the ceramic nozzle and clean it with compressed air.2. Install it back.
A flow of abrasive is weak and the nozzle has been cleaned.		<ol style="list-style-type: none">1. Remove the ceramic nozzle, close the sandblaster and start the abrasive flow.2. This process should remove every object that is in the air flowing duct.3. Install the ceramic nozzle back.



ATTENTION!

Any other problems not described in this manual should be reported to Sinterit Support by contacting through:

- email: support@sinterit.com
- www: sinterit.com/support-page/
- phone: +48 570 702 886.

9. General legal information

Where this manual refers to Sinterit or the Company, this means Sinterit sp. z o.o. with its legal seat in Krakow, registered by the District Court for Kraków-Śródmieście in Krakow, XI Commercial Division of the National Court Register under number: 535095, NIP (tax number): 6793106416, with the share capital for a date of publication of this manual of PLN 102,050 (say: one hundred and two thousand and fifty).

This document contains material protected under copyright and industrial property laws. This means that the document may not be, including but not limited to, reproduced or modified without the consent of Sinterit.

This manual serves to assist you in the correct use of the device, perform basic maintenance and, if necessary, to solve simple problems, allowing you to maintain the device in a good condition.

This manual contains content exclusively for the provision of information and the use by individuals professionally trained and engaged in the operation and maintenance of the equipment described below.

The information contained in this document is intended for use only with the product called Sinterit SANDBLASTER XL.

Due to the constant development of Sinterit's products the information contained in this manual, specifications and markings are subject to change without notice.



10. Disclaimer

Sinterit is not responsible for any use of this information in relation to other products.

Sinterit is not liable for any damages, including but not limited to losses or lost profits, resulting from the use of any materials (consumables) other than those provided to the purchaser by Sinterit.

Sinterit is not liable to the purchaser of the product or any third party for any damages, including but not limited to losses or lost profits resulting from improper use of the product, particularly not in accordance with this manual, or modifications or repairs unauthorised by Sinterit or improper maintenance.

Although every effort has been taken to provide accurate information about the product, Sinterit assumes no responsibility for any incorrect information or omission. Sinterit reserves the right to correct any errors and disclaims any liability in situations resulting from these errors.

Further limitations or exclusions of Sinterit's liability may result from the applicable laws or agreements entered into with the purchaser of the products.

11. Trademarks

Sinterit logo is a registered trademark of the Company.

12. Terms of warranty

The terms of the warranty are set forth in the agreement between the buyer and the Company.

In case of a purchase made in the Sinterit online shop, the terms of the guarantee are specified in the Terms and Conditions, subject to the acceptance of the Customer before placing an order.

In case of purchases made outside the Sinterit online store, the warranty terms may be specified in the offer, or in another form chosen by the Company to provide the customer with relevant information before making a purchase decision.

Sinterit's warranty does not cover including but not limited to:

- damages, abnormalities or malfunction caused by a client or any third party,
- damages, abnormalities or malfunction caused by inappropriate use, effects of force, insufficient or inappropriate maintenance, abnormal operating conditions, incorrect installation or inadequate servicing,
- damages, abnormalities or malfunction caused by dismantling, alterations, tuning or other changes of the product by a client or any third party made without written consent of Sinterit,
- damages, abnormalities or malfunction caused by or related to use of consumables other than those being supplied by Sinterit,
- damages, abnormalities or malfunction caused by or related to use of product against instructions/manuals or safety regulations,
- damages or abnormalities Sinterit is not liable for, according to the applicable law,
- damages exceeding the price paid by the client,
- costs incurred by the client in connection with the conclusion of the product sale agreement as well as storage and/or insurance of products,
- damages of properties caused by the defect of the product,
- loss of profits,
- incidental, indirect, consequential damages.

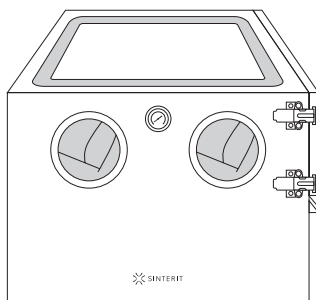
The warranty does not cover any cleaning of working parts

13. Technical support

The latest information, technical support and versions of the manual are available by contacting us through:

- email: www.sinterit.com/support-page
- phone: +48 570 702 886

The list of distributors and technical support in specific countries can be found at www.sinterit.com/contact



SINTERIT Sp. z o.o.
ul. Nad Drwina 10 bud. B3, 30-741 Krakow, Poland
www.sinterit.com
Contact: +48 570 967 854