

Sinterit PLATFORM

for Sinterit Lisa or Lisa PRO

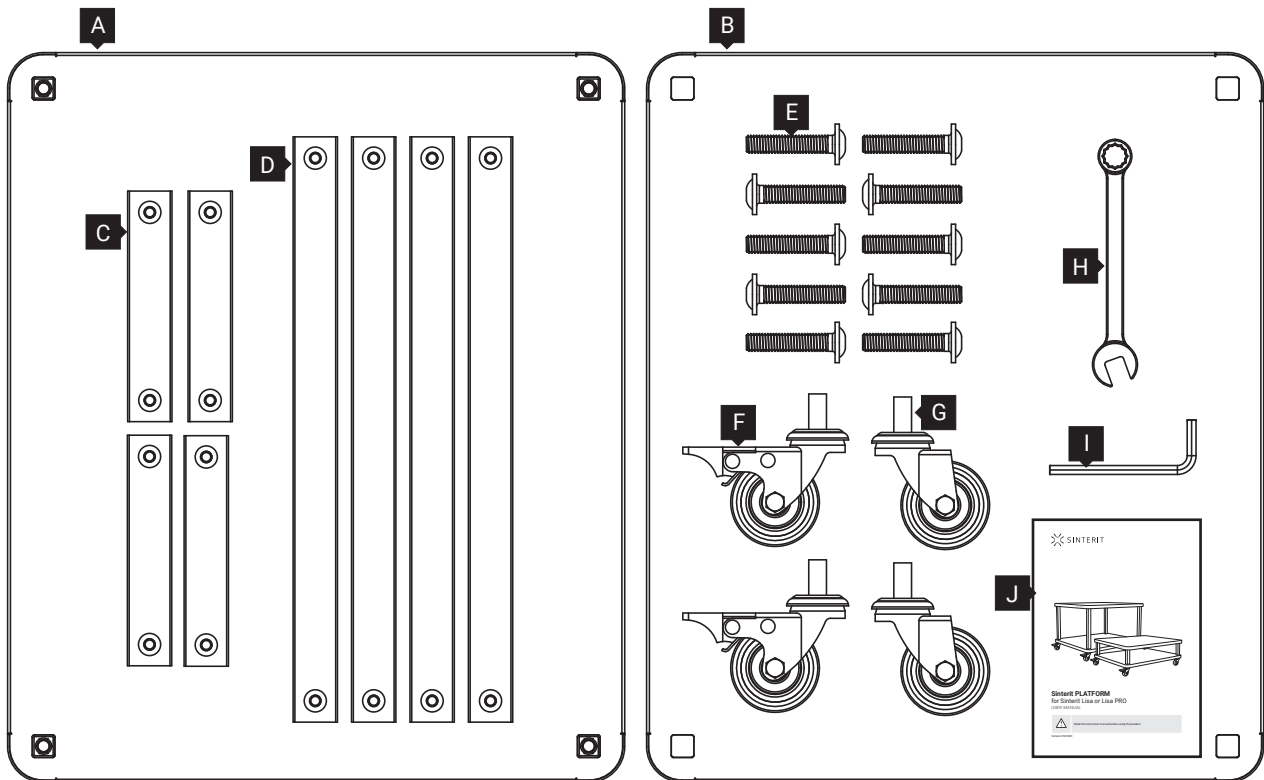
USER MANUAL



Read the instruction manual before using the product.



1. Contents of the Sinterit PLATFORM pack



A	Bottom worktop	1 pc	F	Rubber wheel with a blockade	2 pcs
B	Top worktop	1 pc	G	Rubber wheel	2 pcs
C	Short Leg (for Sinterit Lisa PRO)	4 pcs	H	Wrench 16 mm	1 pc
D	Long Leg (for Sinterit Lisa)	4 pcs	I	Allen key M5	1 pc
E	Allen screw M5x25	10 pcs	J	Sinterit PLATFORM User Manual	1 pc

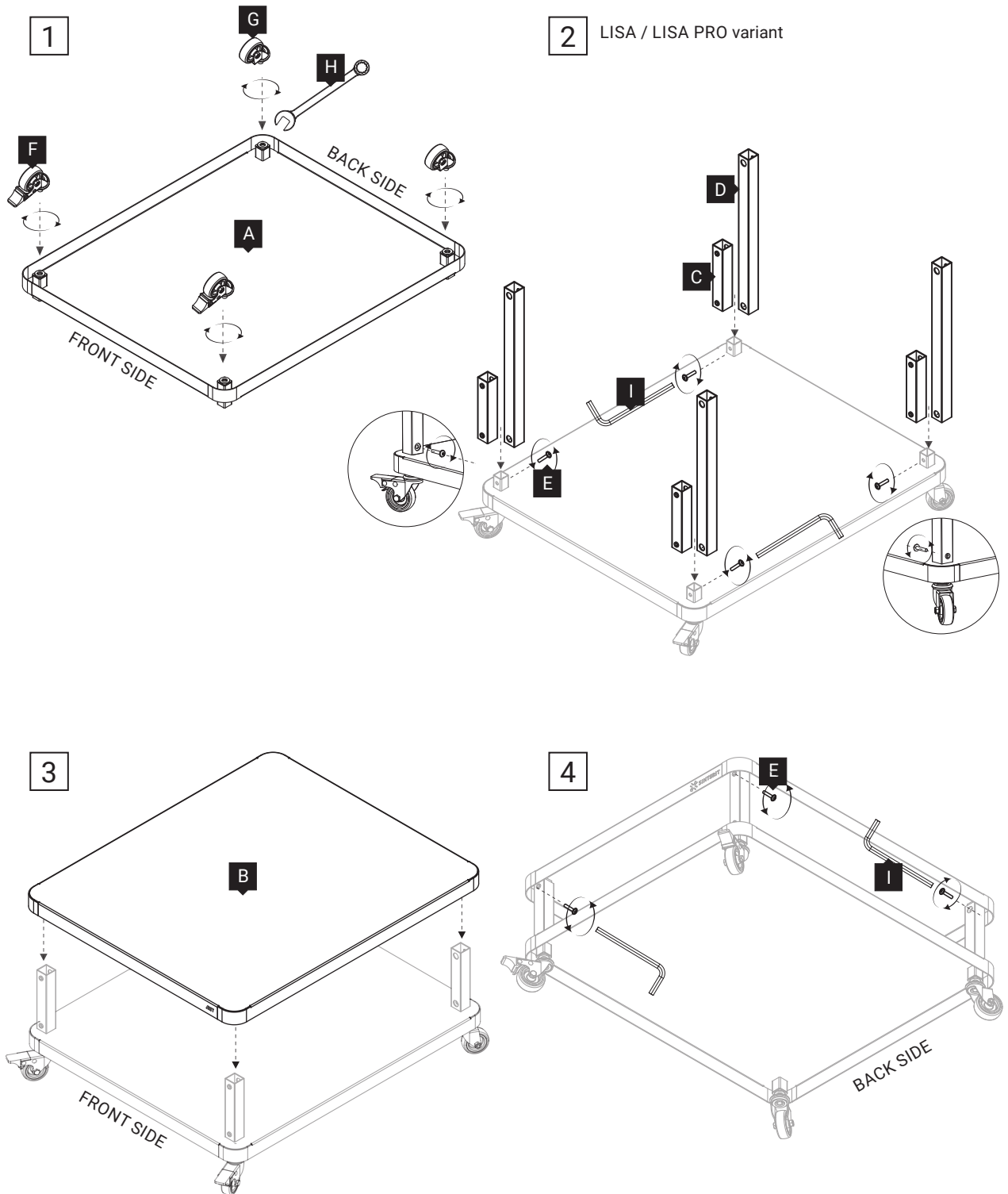


CAUTION!

Beware of sharp edges which can cause body cuts and injury.



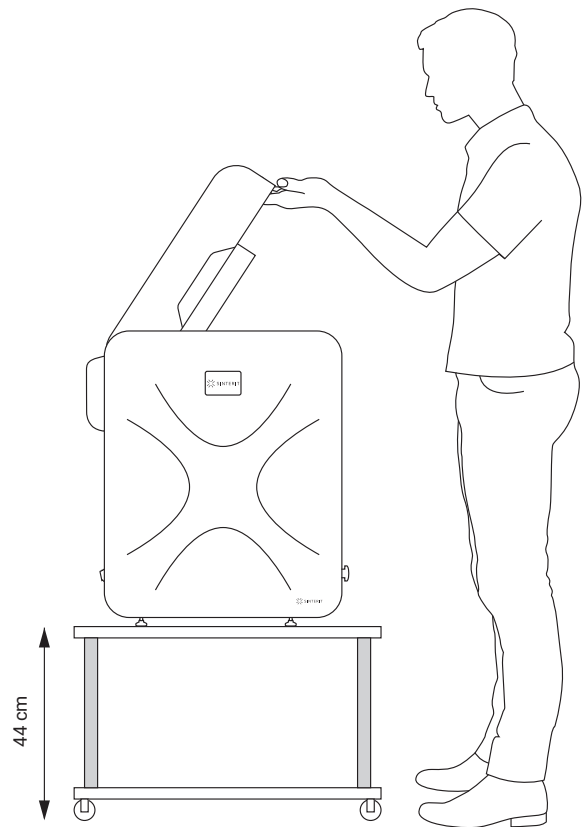
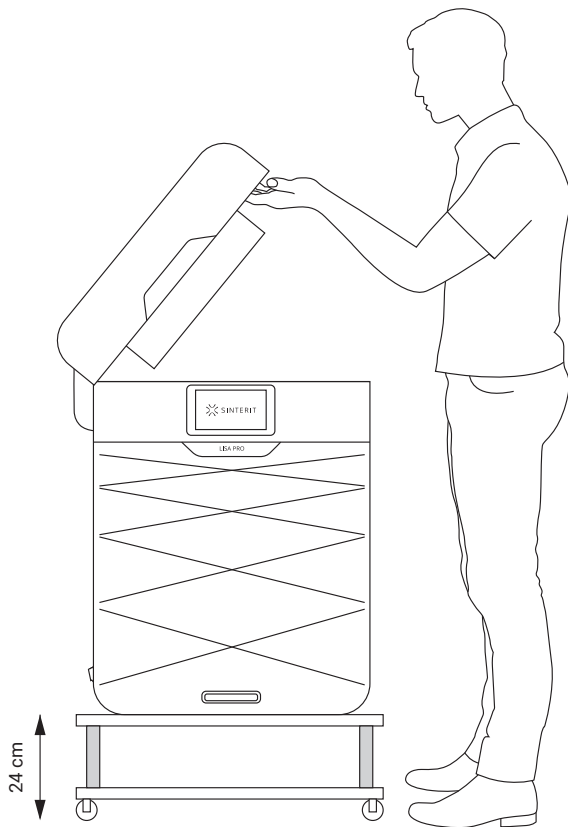
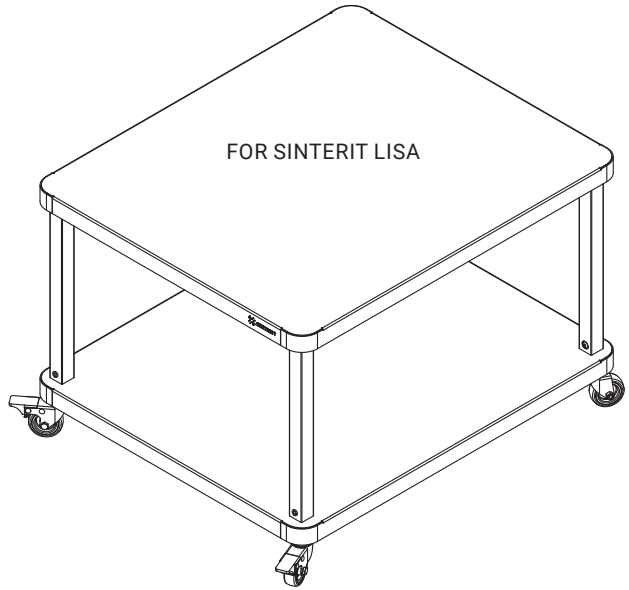
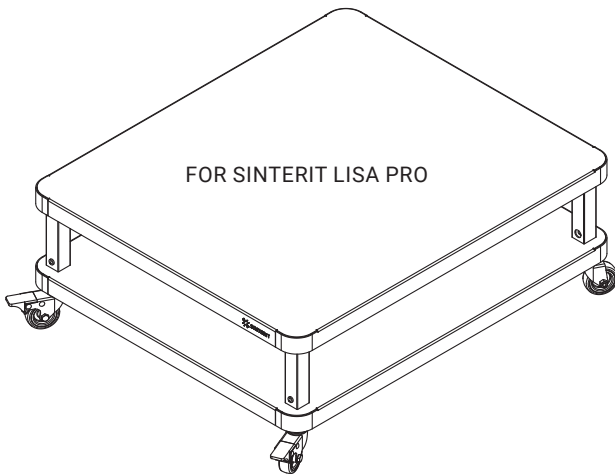
2. Assembly Instruction





5

OR



Your new product is ready to work. Enjoy!



ATTENTION!

- Do not place or store the product outdoors.
- The max. load capacity of the Sinterit Platform is 100 kg (220 lbs).
- Product dedicated for the easy movement and replacement only for the Sinterit Lisa PRO or Sinterit Lisa 3D printer.



3. Technical support

In case of any doubts, always immediately call the Sinterit Support.

- contact@sinterit.com
- phone: +48 570 967 860

The list of distributors and technical support in specific countries can be found at www.sinterit.com



4. General legal information

Where this manual refers to Sinterit or the Company, this means Sinterit sp. z o.o. with its legal seat in Krakow, registered by the District Court for Kraków-Śródmieście in Cracow, XI Commercial Division of the National Court Register under number: 535095, NIP (tax number): 6793106416, with the share capital for date of publication of this manual of PLN 102,050 (say: one hundred and two thousand fifty).

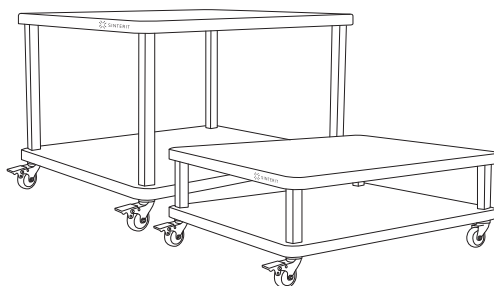
This document contains material protected under copyright and industrial property laws. This means that the document may not be, including but not limited to, reproduced or modified without the consent of Sinterit.

5. Warranty

The terms of warranty granted by Sinterit to its direct clients are set forth in the agreement between the client and the Company.

In case of purchase made in the Sinterit online shop, the terms of the warranty are specified in the Terms and Conditions, that have to be accepted by a client before placing an order.

In case of purchase made outside the Sinterit online store, the warranty terms may be specified in the offer or in another form chosen by the Company to provide a customer with relevant information before making a purchase decision.



SINTERIT Sp.z o.o.
ul. Nad Drwiną 10 bud. B3, 30-741 Kraków, Poland
www.sinterit.com
Contact: +48 570 967 854